

XRIDER®
PASSION FROM THE UNIVERSE

SAGITTARIUS

1/4 RC Manual说明书
MX MOTORCYCLE
遥控越野摩托车



Scan the QR code and
download the manuals
扫描二维码下载说明书

Shenzhen XRider Model Co., Ltd.

深圳骑士模型有限公司

【Perface / 前言】

Thank you for purchasing XRIDER SAGITTARIUS. We believe that this new motorcycle will bring you infinite happiness. Before use, please read the manual carefully and keep it in safekeeping. Accidents are caused by illegal use, the company doesn't undertake any responsibility.

SAGITTARIUS is a 1/4 RC motocross. Product features include:

1. The newly designed flywheel gyro is mounted at the front of the chassis, producing a more balanced motorcycle with less un-sprung weight, giving improved jumping turning, and acceleration performance. With a much lower centre of gravity the motorcycle performance, handling and overall attitude is just like a 1:1 Motorcycle.
2. Alloy spoke wheels and hubs add to the scale looks and effect, while also being extremely durable and providing stable running on CST tires, a leading producer of motorcycle tires in the industry. The wheels have been accurately scaled along with all the dimensions of the model, giving an authentic scale look and feel when in action.
3. Mechanical cable disc brakes for the front and rear of the motorcycle add to the scale look and function. The different versions can be optionally equipped.
4. The plastic body work faithfully represents and replicates a full scale MX Motorcycle while the included rider with his aggressive stance and lifelike looks makes a dynamic on the motorcycle.

In order to get the maximum enjoyment out of the SAGITTARIUS, we highly recommend you read this manual. This product has been thoroughly tested for quality assurance purposes. A limited warranty 90 day warranty from the date of purchase. Please note warranty does cover any crash damage, modifications, failure to maintain your model, or any damage caused by improper use or improper assembly.

If you need to contact customer service, you can reach us at: service@cx3rider.com.

感谢您购买 XRIDER 射手座摩托车，相信这一全新产品会给您带来无限欢乐。在使用产品前请您认真阅读产品使用指南，并妥善保管。因违反本手册中的安全注意事项及使用事项而导致的事故，本公司不承担任何责任。

射手座是1/4遥控越野摩托车，本产品拥有以下特点：

1. 引入全新设计的隐藏式中置电子陀螺仪，提升了车辆的平衡和稳定性；减少的非悬挂重量增进了摩托车的灵活性，更易应对各种复杂的场地和动作。此外，优化后的操控性能使得遥控摩托车的表现更接近真实摩托车的运动特性，从而提供更加真实和令人满意的驾驶体验。
2. 辐条编织的金属轮组赋予摩托车以视觉上的艺术感，还原了真实车辆的造型，效果逼真；超窄轮宽让车子的操控充满挑战。
3. 采用正新橡胶（CST）生产的轮胎，完美还原真实摩托车轮胎的质感和材料，为整车提供稳定的行驶性能。
4. 前后独立机械卡钳刹车系统，既增添了模型的实用性，又能满足不同的刹车需求。（RTR需另外选配）
5. 完美缩放的1:4比例车身，结构更为真实地还原了真实车辆的外观和结构，为玩家呈现更为真实的摩托车效果。
6. 透过仔细雕琢的骑手姿态，呈现出了逼真的细节，骑行中的战斗姿态，动感十足，仿佛将战场的激情融入其中。

为了更加充分的发挥这些性能，更好的体会其中乐趣，请在使用前仔细阅读每辆摩托车出厂前都经过严格的测试与调试，我司保证，客户购买的产品 打开包装后，无任何料及工艺方面的问题。购买之日起 90 天内，我司将免费为客户维修。售后联系邮箱为 service@cx3rider.com。

由于碰撞，翻车，用户自行更改配置，属于保养或者任何不当使用引起的损坏，将不在保修范围内。

由终端用户自行安装或自行安装所适用的材料引起的任何问题，亦不属于保修范围。

[Safety Precautions / 安全说明]

1. The specification of the logo

⚠ Caution: this symbol indicates where caution is essential to avoid injury to yourself or others.

🔍 Note: this symbol indicates where give you a tip in use

🔴 Coated the screw glue

2. The use of power--this product uses LiPo battery

- Never disassemble the polarity required for installation. This may lead to damage and leakage.
- While charging,the LiPo battery and charger become hot. Do not charge on top of flammable materials as this may cause fire.
- Do not operate the DC Peak Charger in direct sunlight or in high temperatures. Continually monitor the charger while charging is in progress.
- Short circuit may cause fire or accident so never disassemble or modify the LiPo battery .
- LiPo batteries contain toxic metals. An exploding battery is extremely dangerous so never put in fire.

3.The safety of Children

- This model is not a toy. It is designed for users over 14 yeas of age.
- As the product includes small and sharp parts, assemble and store this product only in places out of the reach of children.

4. The safety of User

- It's highly recommended that first-time enthusiasts seek the advice of an experienced modeler before operating this vehicle.
- Cutters,wire cutter and screwdrivers need careful handling.
- Do not touch moving gears. They can cause injury.
- During and after operation,the motor and batteries will be hot. Do not touch them until they have had time to cool down.

5. The range of use

- Do not operate the model on public roads, in crowded places or near infants. It may cause accidents or injury.
- This product emits electrical waves so do not operate: Inside an aircraft. Near automatic devices such as automatic doors and fire alarms. Inside hospitals or medical equipment. Operating may cause accidents.

6. The maintenance of product

- Do not store this model in a high-temperature/humidity area or in direct sunlight.
- Do not use water,alcohol, or thinner to clean your car's body.
- Simply wipe it down with a clean, soft cloth.

1. 关于本说明书中使用标识

⚠ 注意：此标识提醒您注意避免伤害到自己及其他人。

🔍 提示：此标识是作为一个小提示供使用过程中一个参考。

🔴 涂螺丝胶

2. 关于产品使用的电源--本产品使用锂电池。

- 请注意电池的正负极，以确保安装正确，错误的安装可能导致电池的损害及毒性物质泄露。
- 充电时，锂电池及充电器会变热，请不要在易燃材料上充电，否则可能会导致火灾事故等情况发生。
- 请不要在直射阳光下等高温场所进行充电。充电时，请不要长时间在充电附近。
- 短路可能会导致火灾，请不要分解或更改锂电池。
- 锂电池中含有害重金属，如破裂会非常危险，请勿投入火中。

3. 关于儿童安全

- 此模型不是玩具。它为14岁及以上年龄设计。
- 此产品含有微小、尖锐部分，请在组装，使用及保存时避免婴幼儿触及。

4. 关于使用者的人身安全

- 强烈推荐初次接触者在有经验者的指导下组装及操作此产品。
- 请小心使用剪刀，线钳及螺丝刀等。• 请勿触及转动的齿轮。它们会导致受伤。
- 在模型运行中及运行后一段时间，电机和电池处于极热状态。在其冷却前请勿触及。

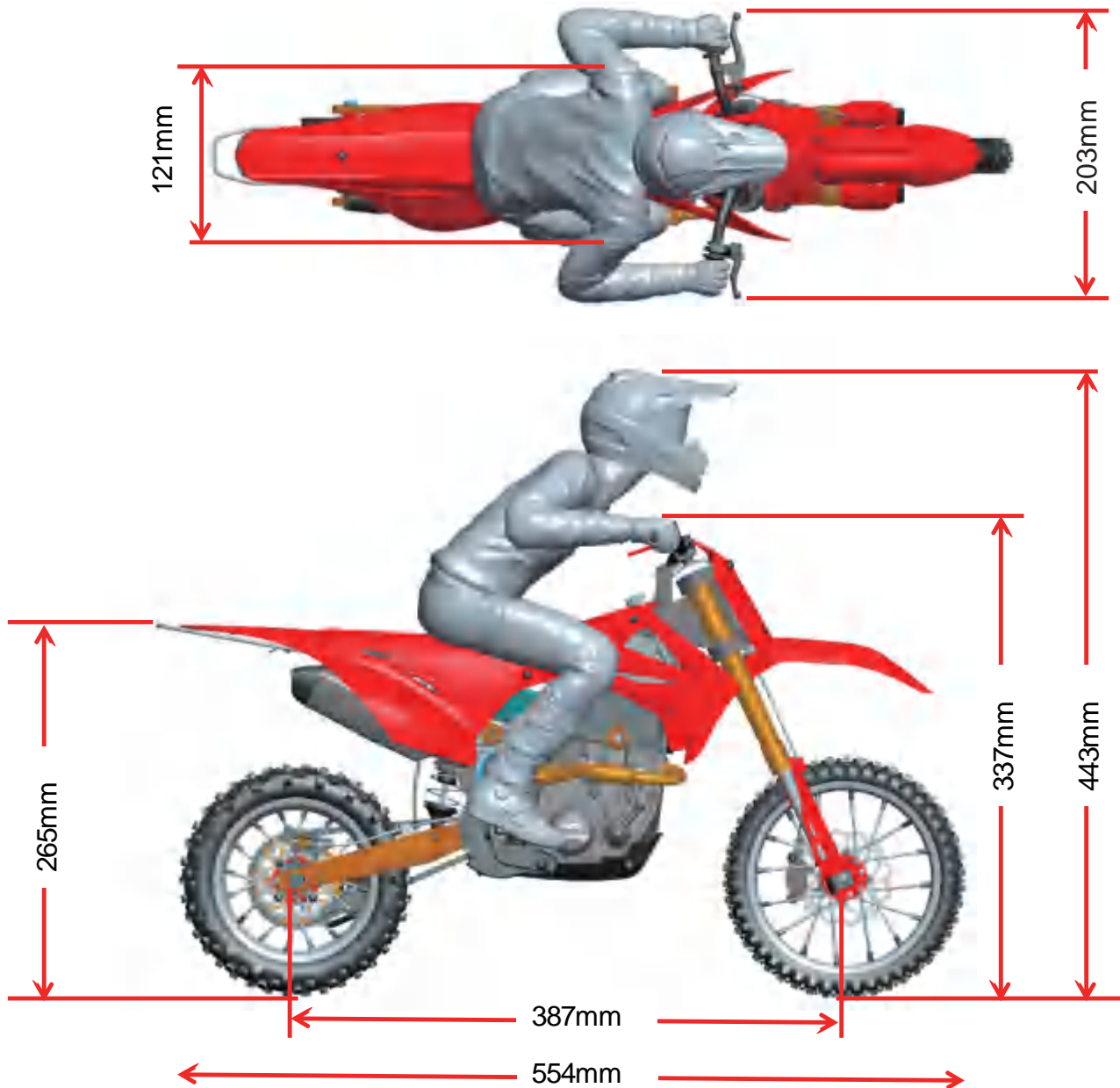
5. 关于产品的使用范围

- 请勿在公路，拥挤地区及儿童附近操纵模型，可能会导致危险情况发生。
- 请勿在飞机、自动门或报警器等自动控制机器附近、医院和电子医疗器械周边等场所内使用，本产品发出的电波信号可能会对上述机器产生影响，造成失误。

6. 关于产品的维护与保养

- 请避免将模型放置在高温、潮湿及阳光直晒处。
- 请勿使用水、溶剂等清洗车壳。
- 请用清洁软布擦拭。

【The size of Product / 产品尺寸】



【Additional items required for run/ 跑前所需另购设备】

Radio Control : 4 or 5 channels
 LiPo battery : 2s or 3s ; size limit : 98x47x28mm
 Battery charger

遥控器 : 4 or 5 通道
 锂电池 : 2s or 3s ; 尺寸 : 98x47x28mm (尺寸最大不超过此范围)
 充电器

KIT version still need as bellow items: ESC , Motor, Servo

KIT版本还需以下设备: 电调, 电机和舵机

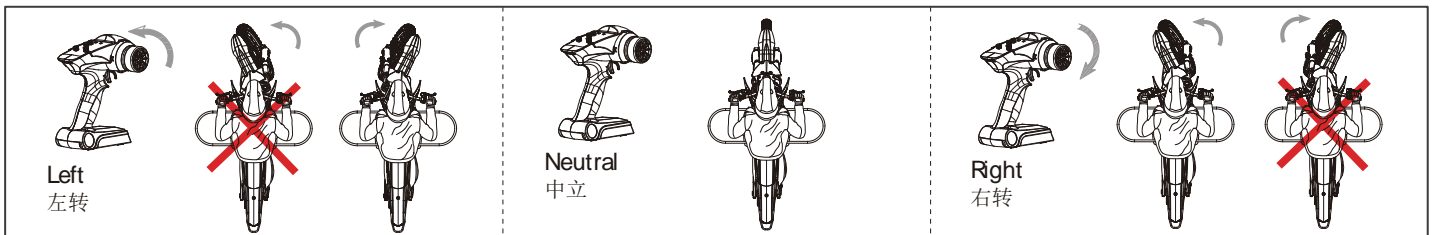
【Steering Setup/ 正确行驶的技术要领】

Basic Controls:

⚠ Caution : RC Motorcycle comes with a Counter-Steering System. It means the direction between the transmitter steering wheel and the motorcycle front wheel are opposite. Please setting AUX of the remote control when power on.(Refer to the manual of the remote control .)

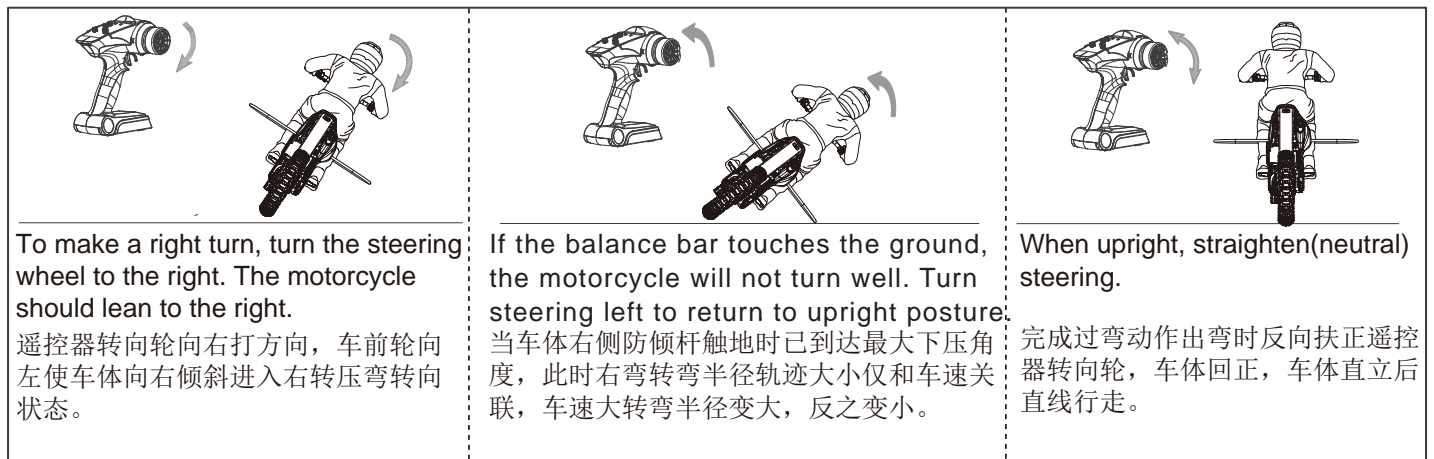
基本操作:

⚠ 注意: 遥控摩托车的操作系统是反向的, 遥控器的转向轮与摩托车前轮的方向相反。开机之后请对遥控器进行混控设置, 三通或四通开关式混控无效(具体的设置请另行参考各品牌遥控器操作)。如非标配的刹车舵机, 操控摩托车之前请设置好刹车舵机的角度行程, 以防舵机机构扫齿。



To return the motorcycle from a leaning posture to and upright posture, turn the steering in the opposite direction to the lean.

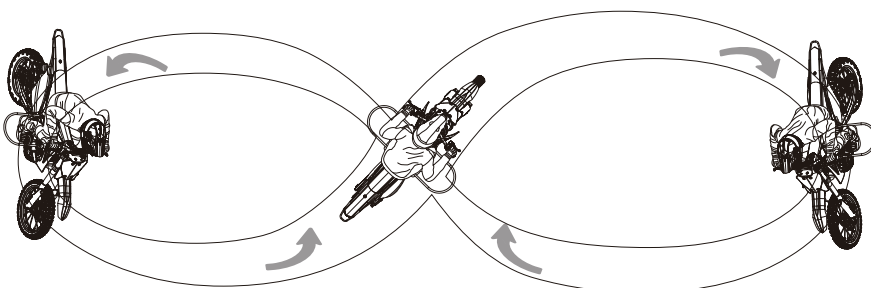
使摩托车从倾斜位置到直立位置时, 请反方向调节。



【Driving Practice&Cornering Tips/操控练习和过弯技巧】

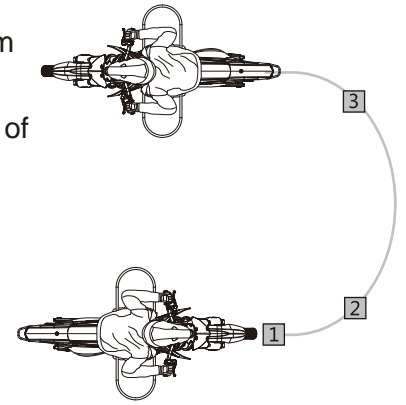
To help familiarize yourself with the handing of the bike practice turing left and right by driving in a figure-8 pattern.

为了帮助您熟悉车子的操作, 您可以通过8字形操控来练习左右转弯。



1. Before entering the corner, cut the motor power while keeping the momentum of a bike going, smoothly steer the bike little by little.
2. While keep steering, accelerate the bike little by little according to the degree of banking and turning radius.
3. Toward the end of the corner, steer the bike once toward the opposite side.

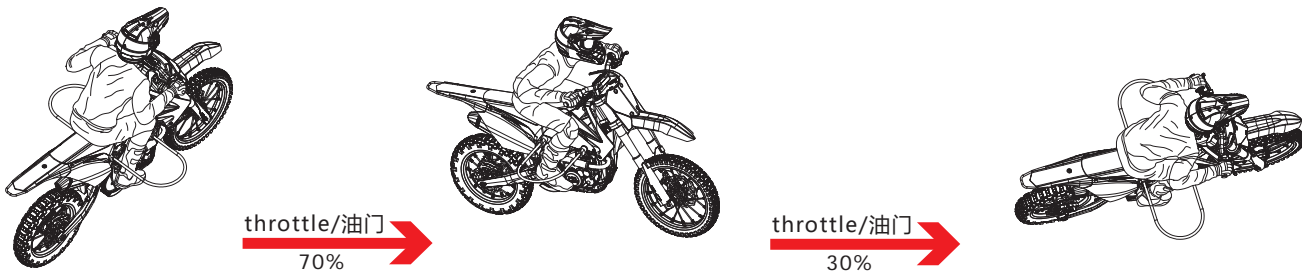
1. 进弯前收油，控制方向调整入弯姿态。
2. 弯中适当回舵，小幅度控制油门。下压角度越大，车速越慢过弯半径小，反之则大。
3. 出弯缓慢给油，适当回舵扶正车身。



【Jumping Precautions/飞跃注意事项】

Motorcycle jumping is a risky activity. Before attempting any stunt maneuvers, ensure a comprehensive understanding of the vehicle's performance, including acceleration and braking capabilities. Factors such as speed and slope affect the height and distance of the jump. It's advisable to perform jumps in open spaces and limit the maximum jump height to 1.5 meters, landing on both wheels to reduce impact. Performing stunts on different terrains may cause irreversible damage to the motorcycle, which should not be attributed to product design quality. Prior to performing any stunts, fully grasp the associated risks.

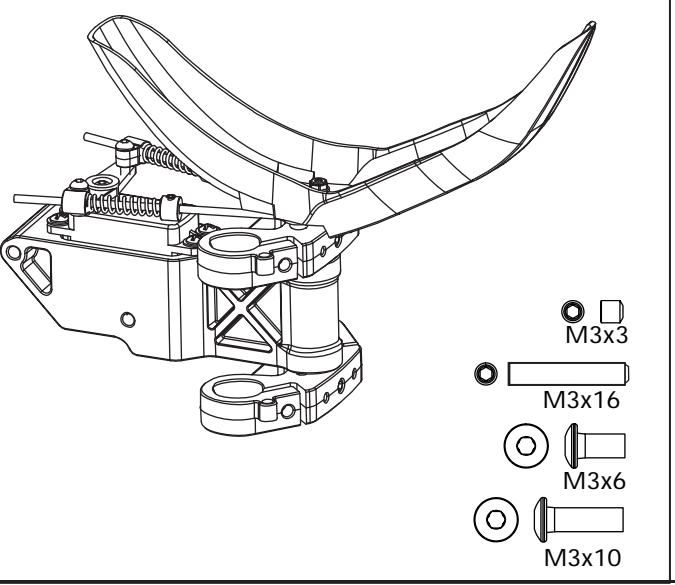
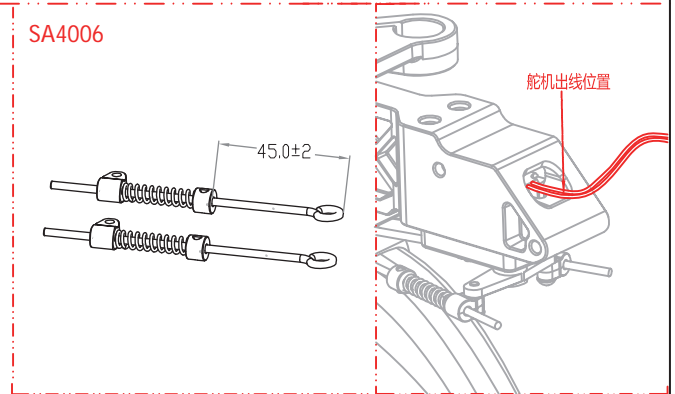
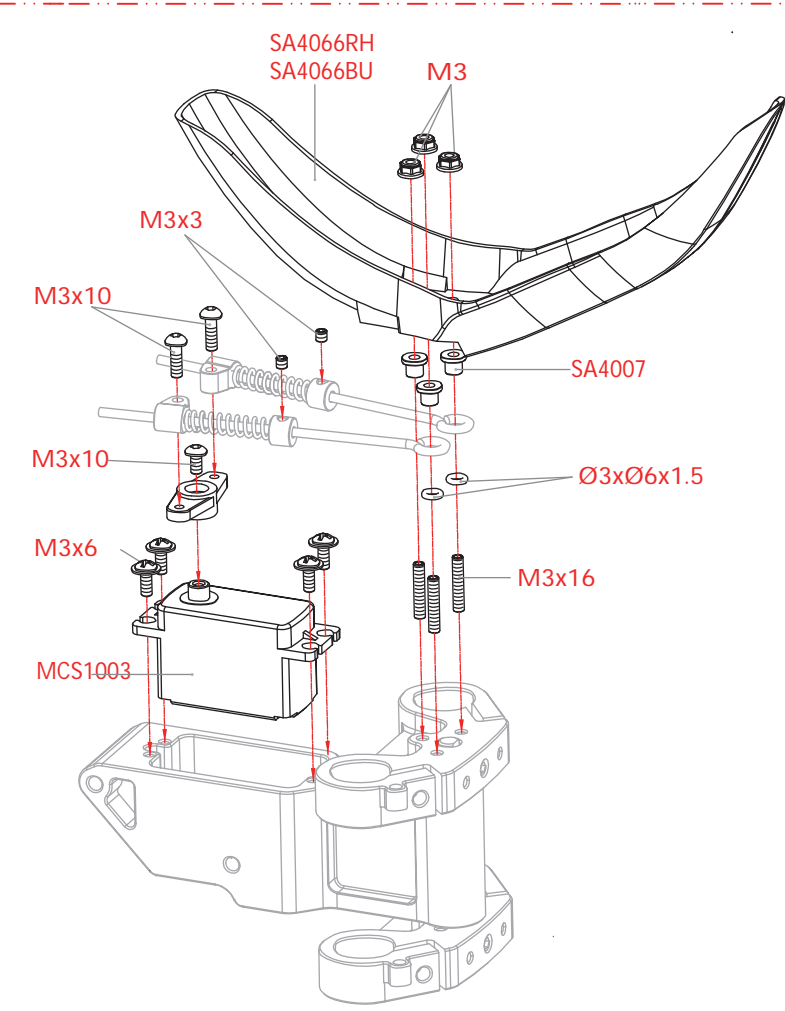
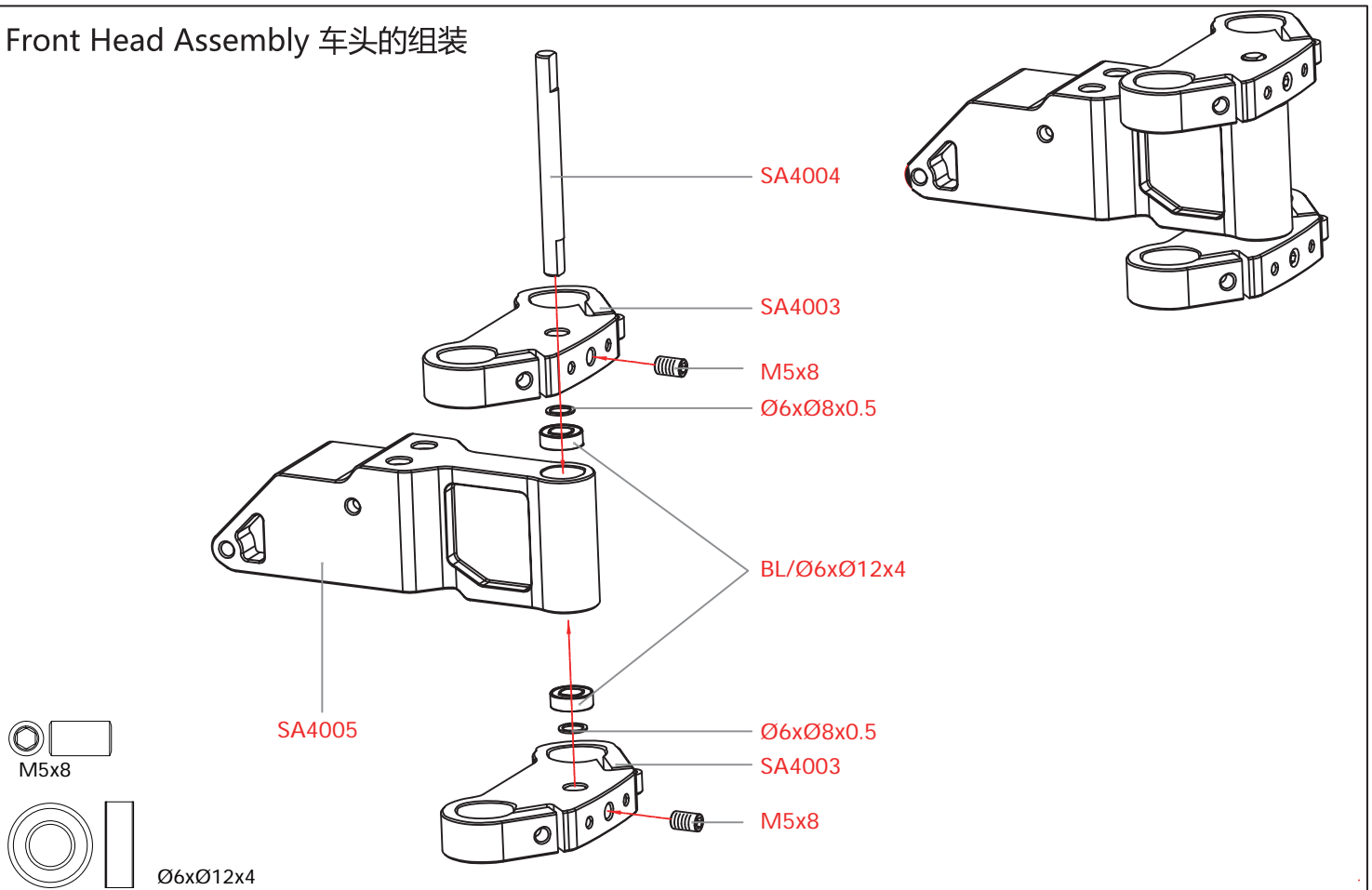
摩托车飞跃是一项具有风险的活动。在尝试特技动作前，请确保对车辆的性能有充分了解，并对加速和制动有深刻认识。飞跃的高度和距离受速度和坡度等因素影响，建议在空旷场地进行，将最大飞跃高度限制在1.5米以内，并采用双轮着地方式减缓冲击。在不同地面条件下进行飞跃可能对摩托车造成不可逆损害，这不应归咎于产品设计质量。在执行任何特技前，请充分了解风险。



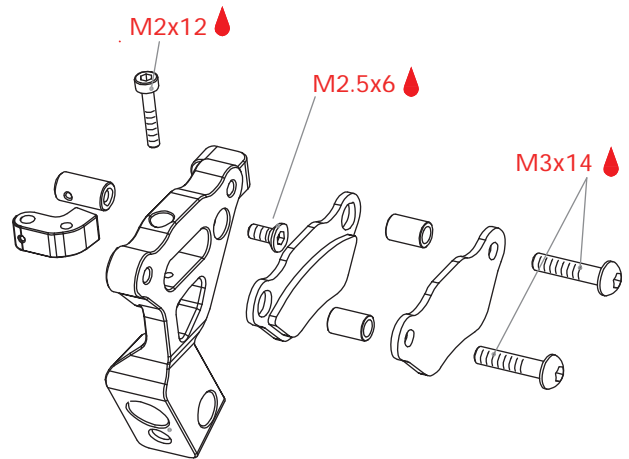
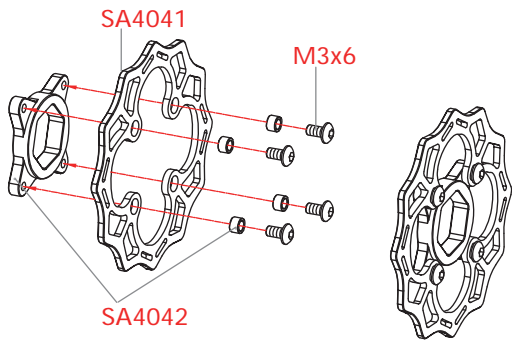
Mastering timing, coordination, and practice is crucial for controlled jumps and landings. It's highly recommended to start with small jumps and progress to larger ones as skills develop. Always accelerate as you approach the jump to preload the suspension, ensuring a stable and predictable attitude throughout. Use the throttle to control the vehicle's pitch in the air; increasing throttle lifts the front wheel, while decreasing throttle lowers it.

掌握跳跃和着陆的时机，协调和实践至关重要。强烈建议从小跳跃开始练习，随着技能的提高逐渐过渡到更大的跳跃。跳跃时始终加速，这样可以使悬挂更稳定，跳跃过程更可控。在空中控制车辆的姿态时，可以利用油门。增加油门会使前轮向上抬，减少油门会使前轮向下沉。

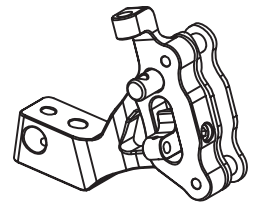
Front Head Assembly 车头的组装



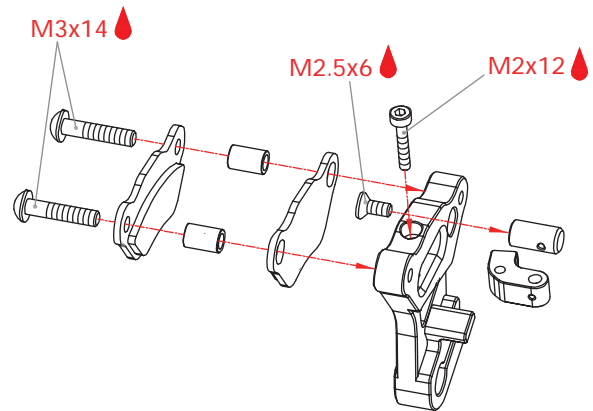
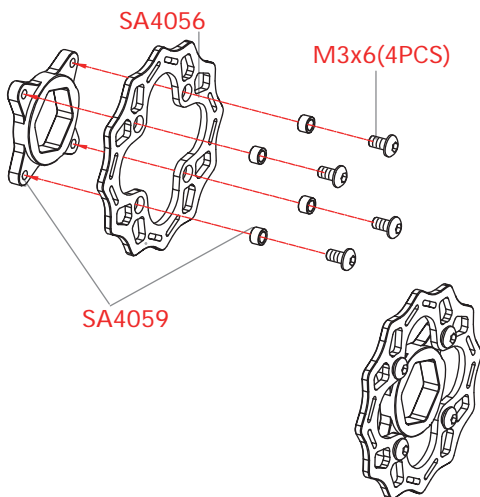
Brake Calipers Assembly 刹车卡钳的组装



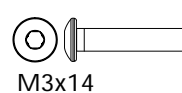
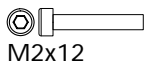
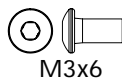
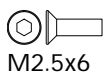
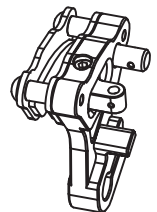
SA4043 Front/前





*Upgrades should be purchased separately.
升级件需另外单独购买。

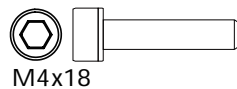
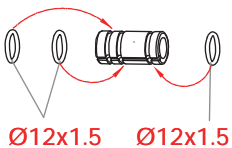
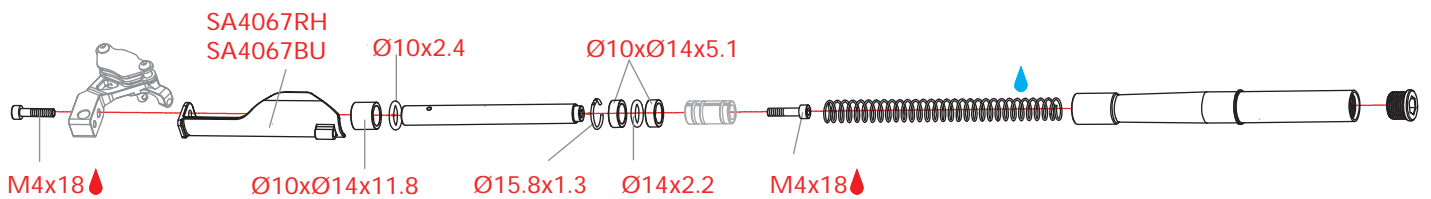
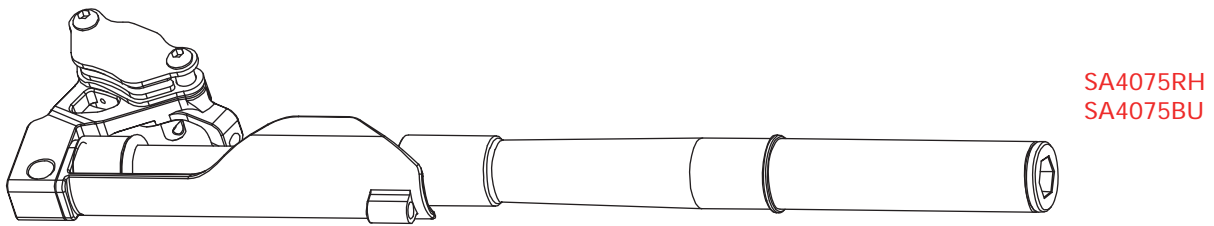
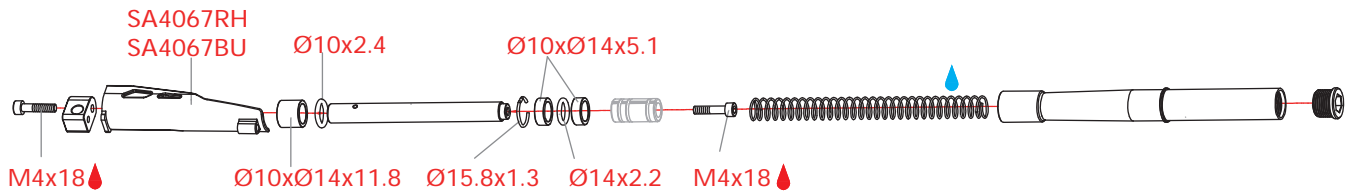
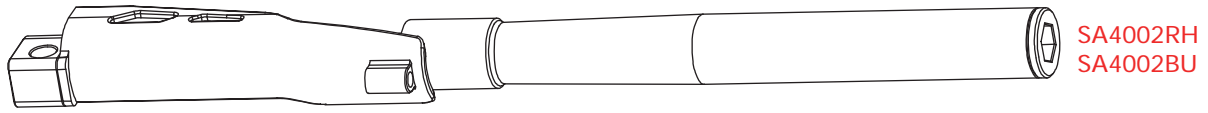


SA4057Rear/后



Note : Coated the screw glue first where mark the symbol .
提示 : 标有的地方都需涂上螺丝胶

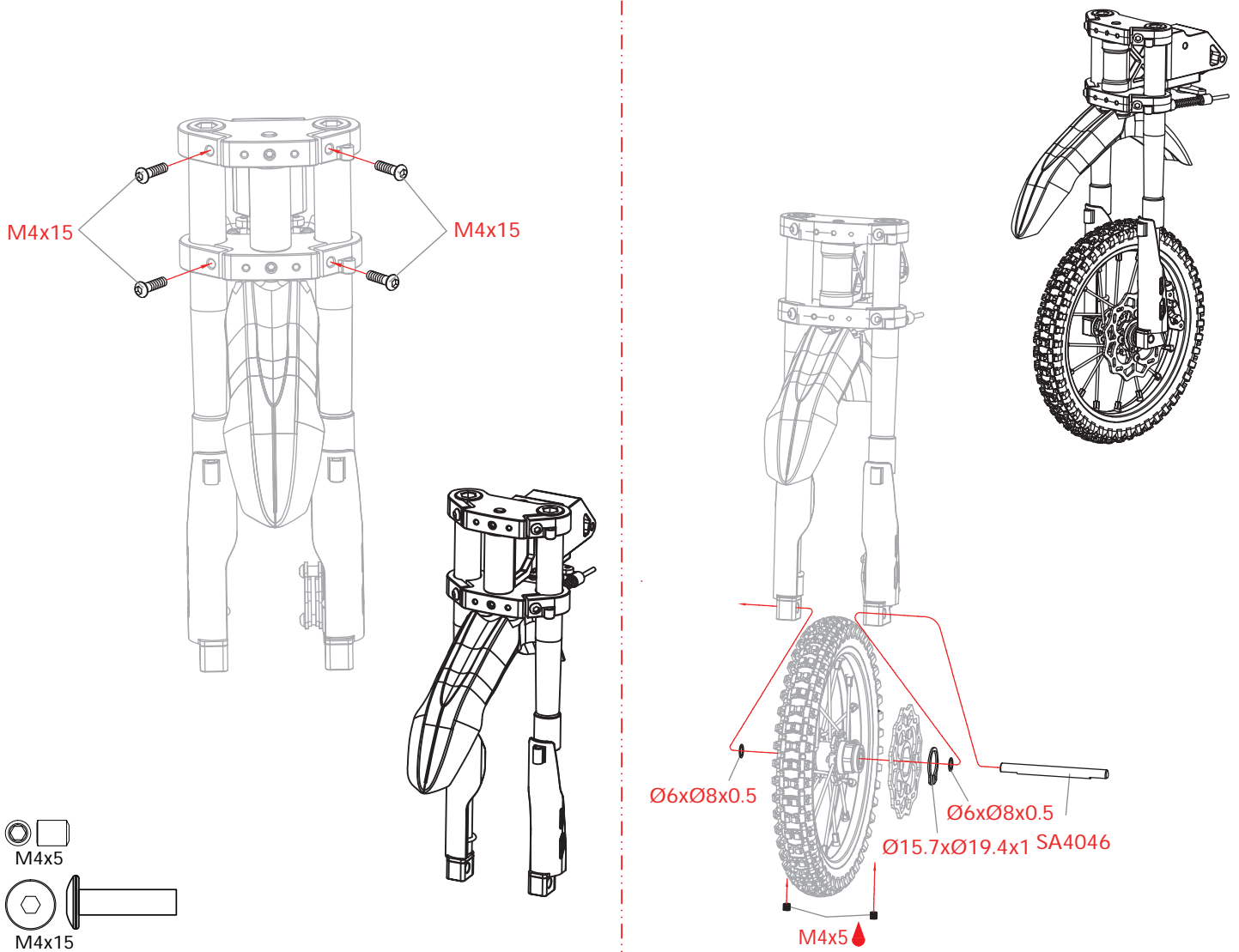
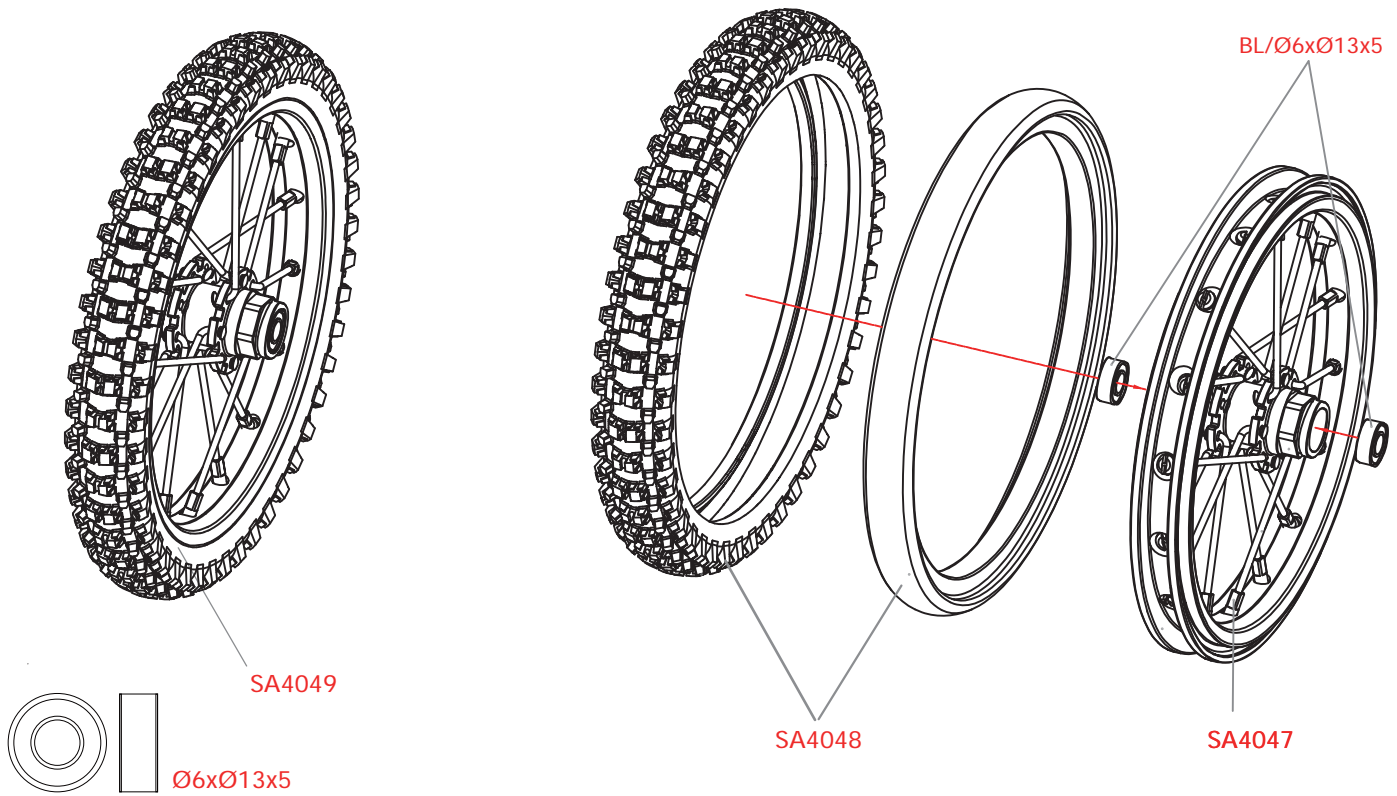
Shock Absorber Assembly 前避震器的组裝



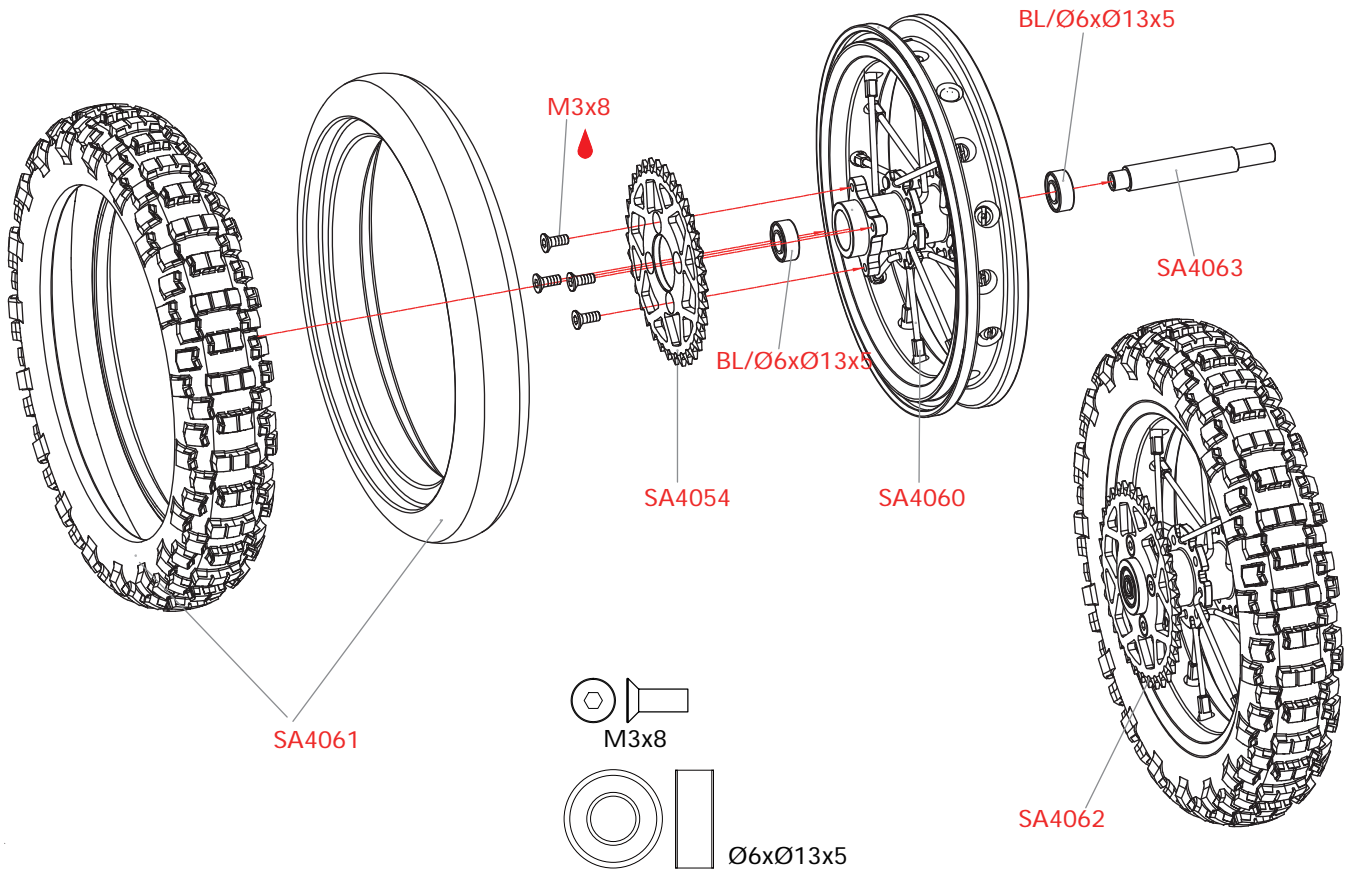
Note : Apply some solid lubricant on the spring.;
Coated the screw glue first where mark the symbol .

提示：请涂抹一些固态油在弹簧上；
标有 的地方都需涂上螺丝胶

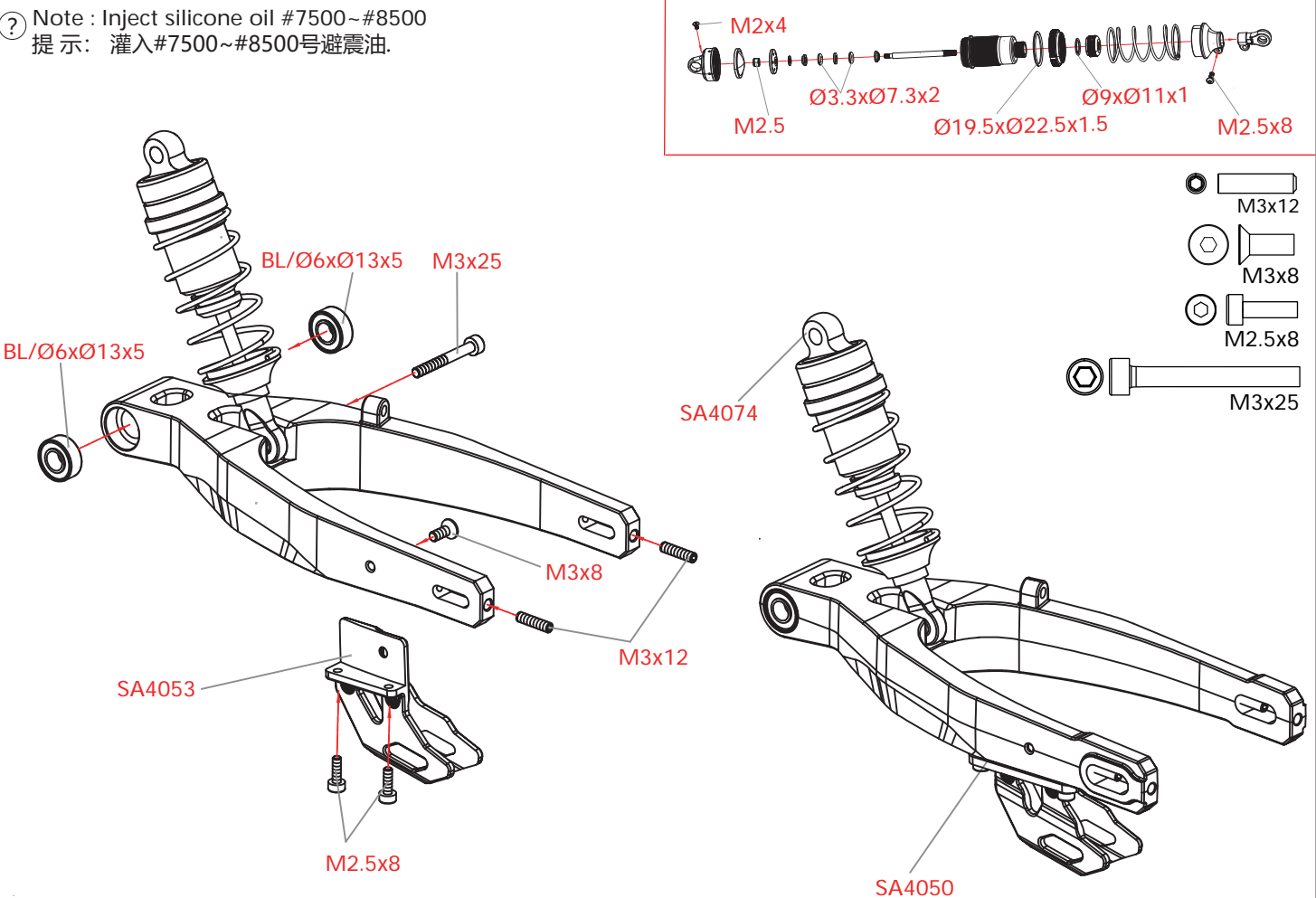
Front Wheel Assembly 前轮的组装



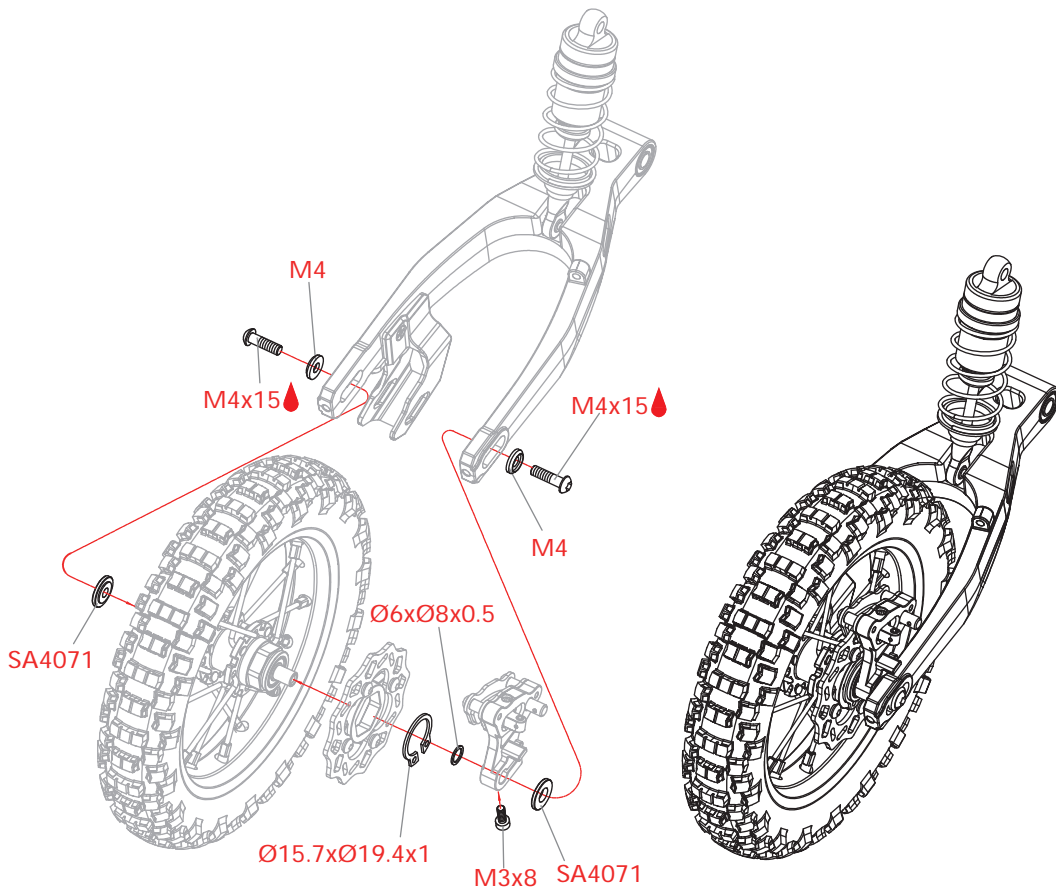
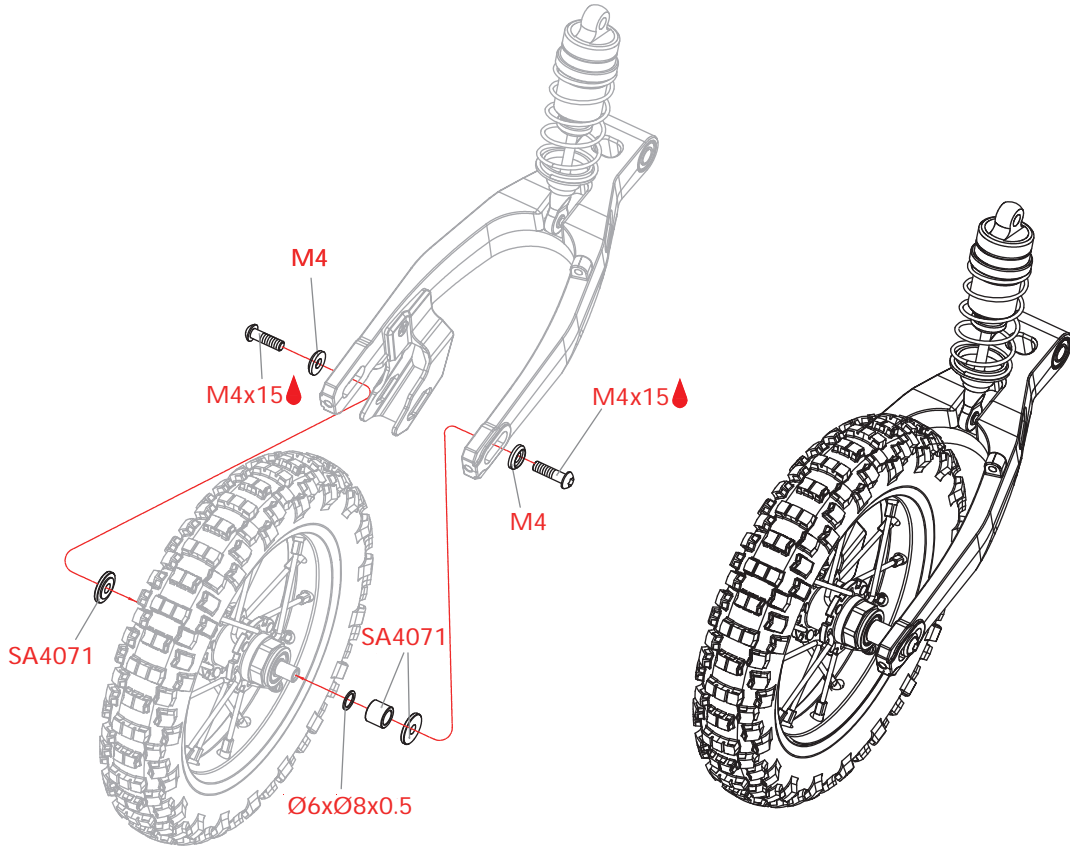
Rear Wheel Assembly-1 后轮的组装-1



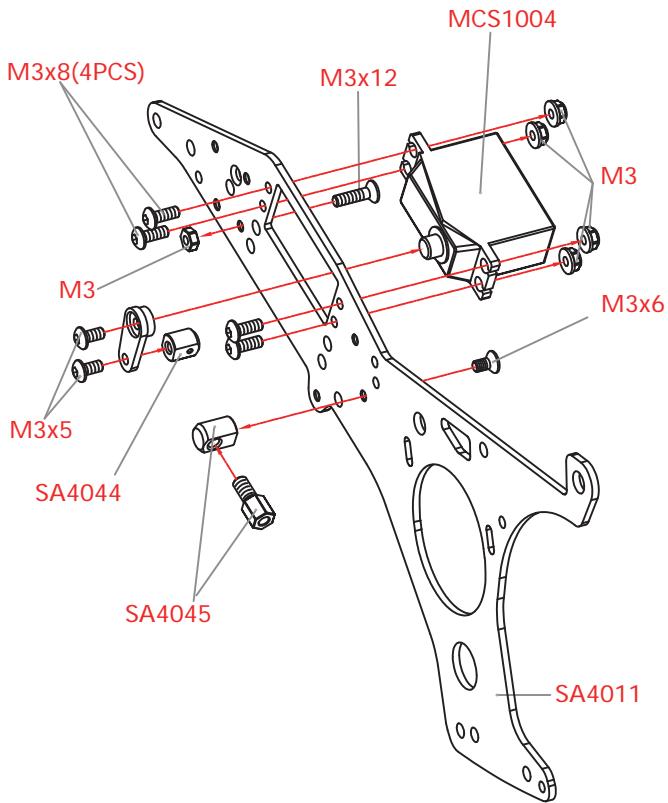
② Note : Inject silicone oil #7500~#8500
提示：灌入#7500~#8500号避震油。



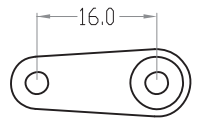
Rear Wheel Assembly-2 后轮的组装-2



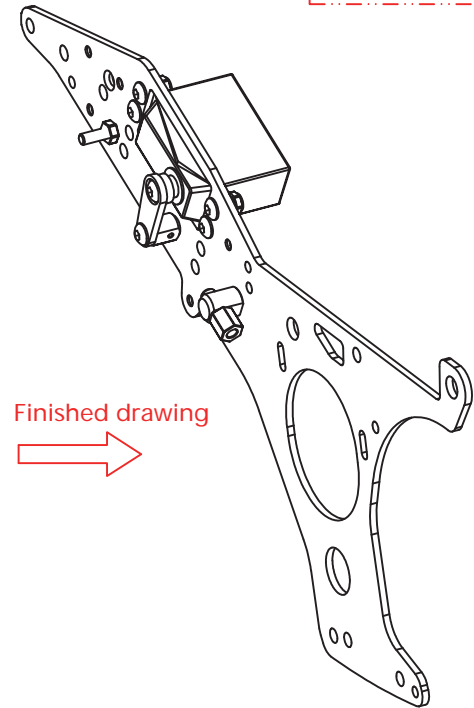
Brake Servo Assembly 刹车舵机的组装



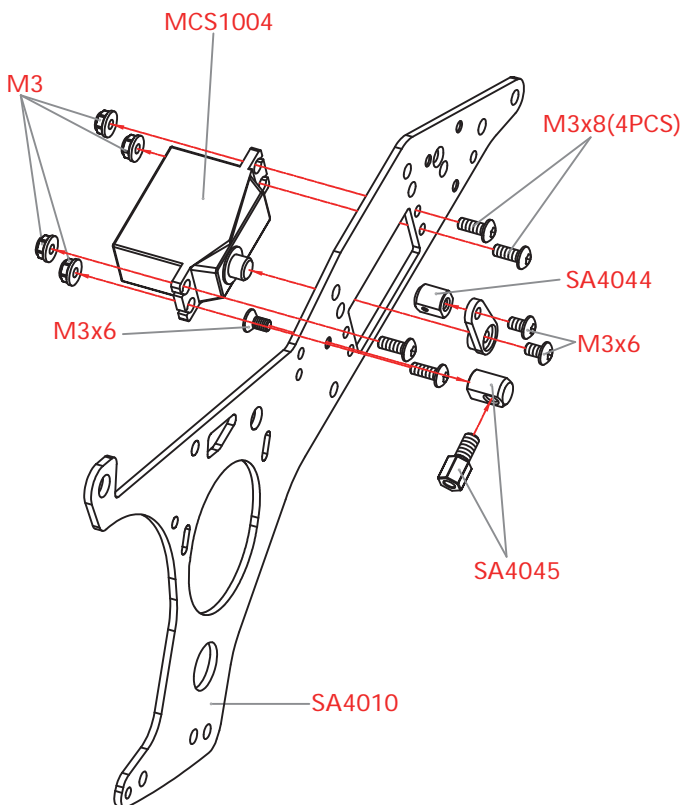
Suggested length



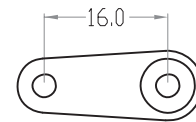
scale 2:1



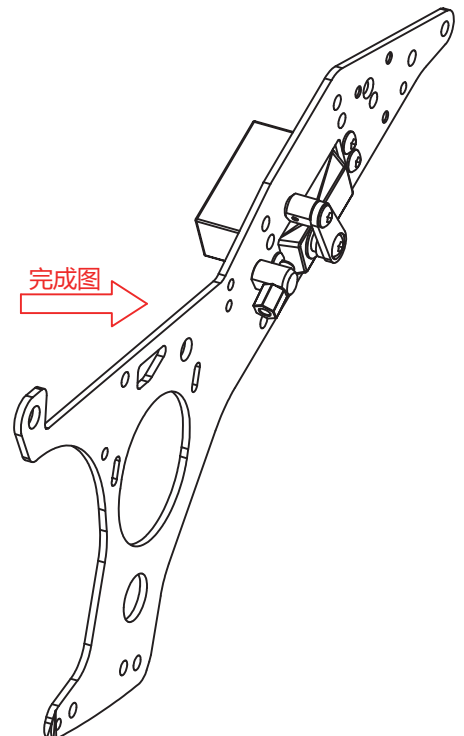
Finished drawing



建议使用长度



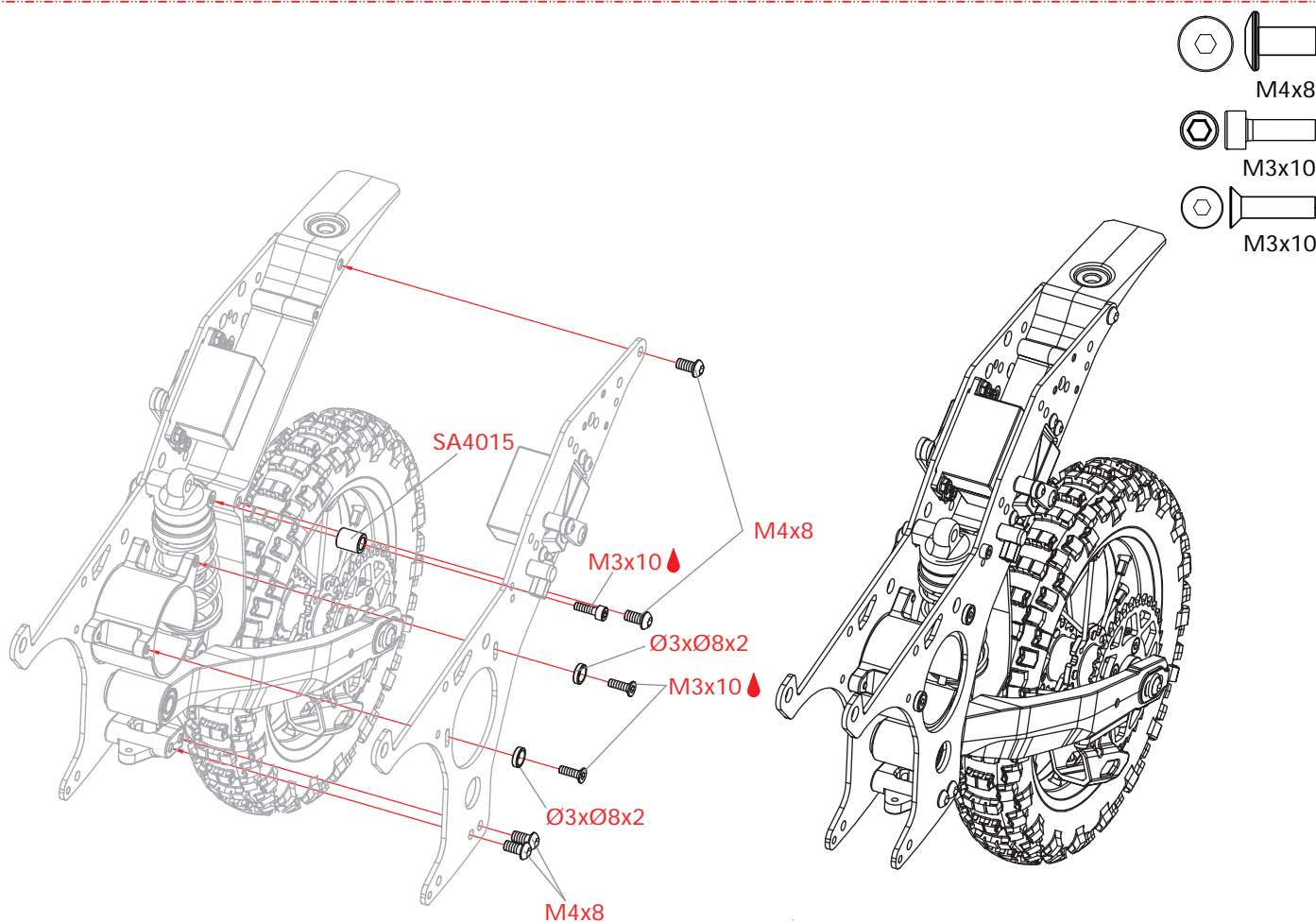
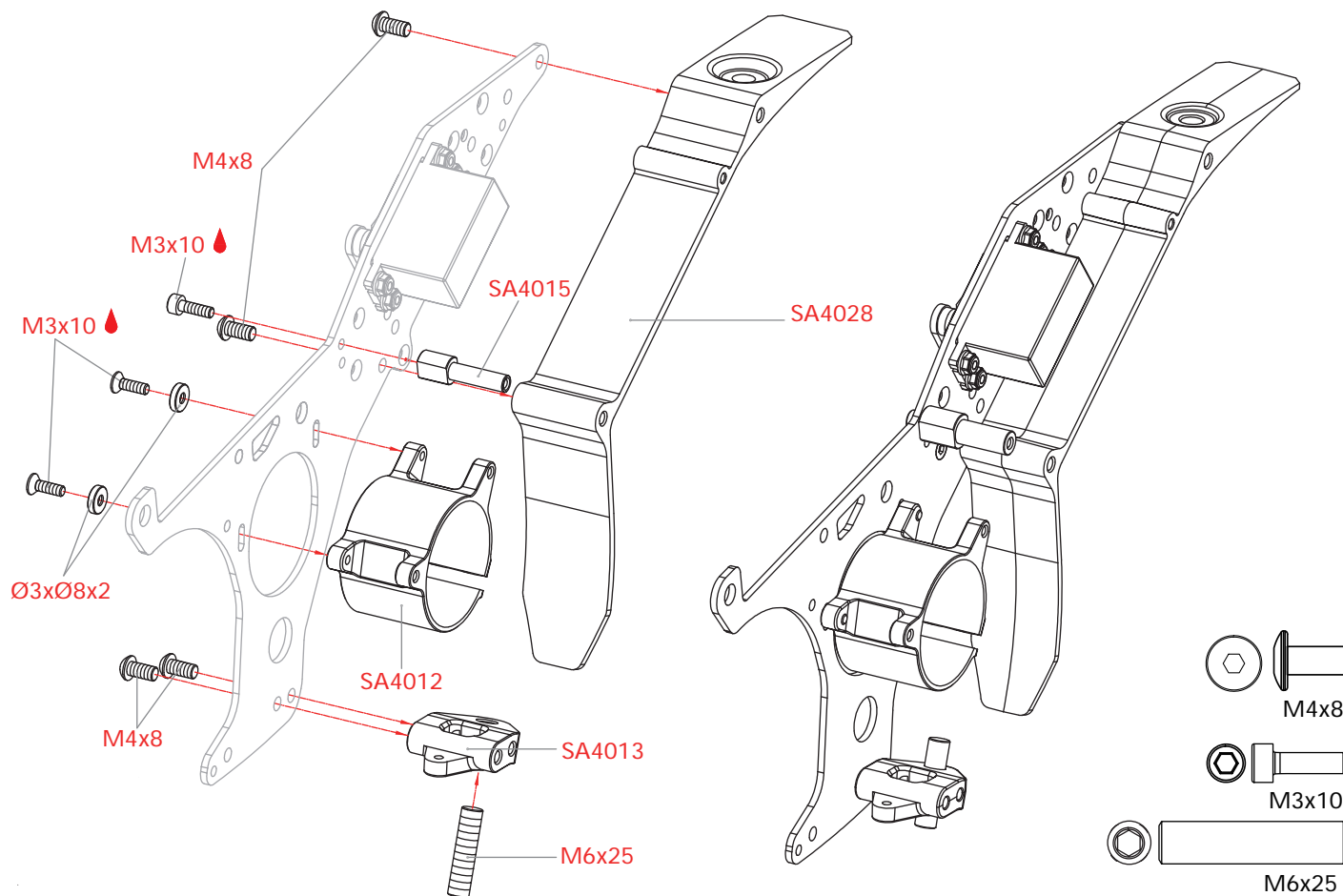
比例2:1



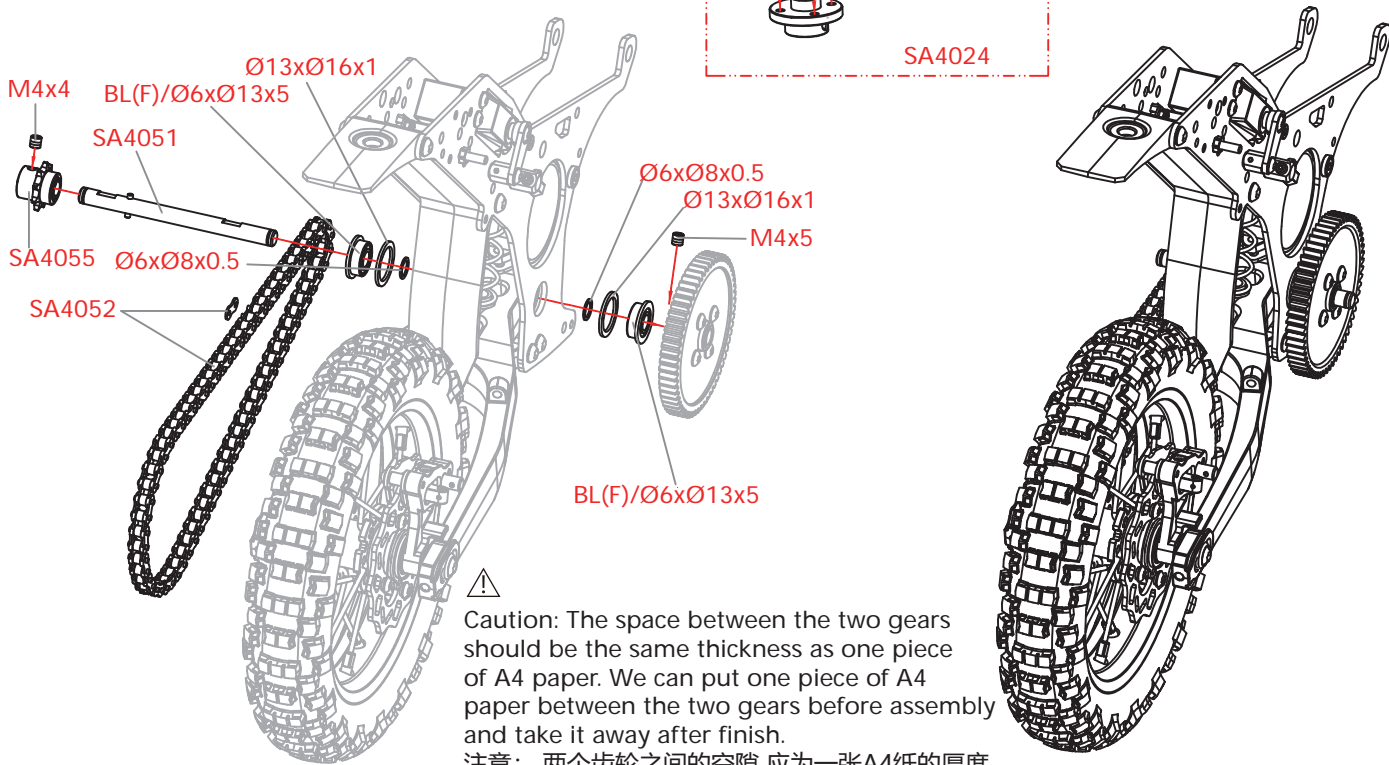
完成图



Frame Assembly 车架的组装

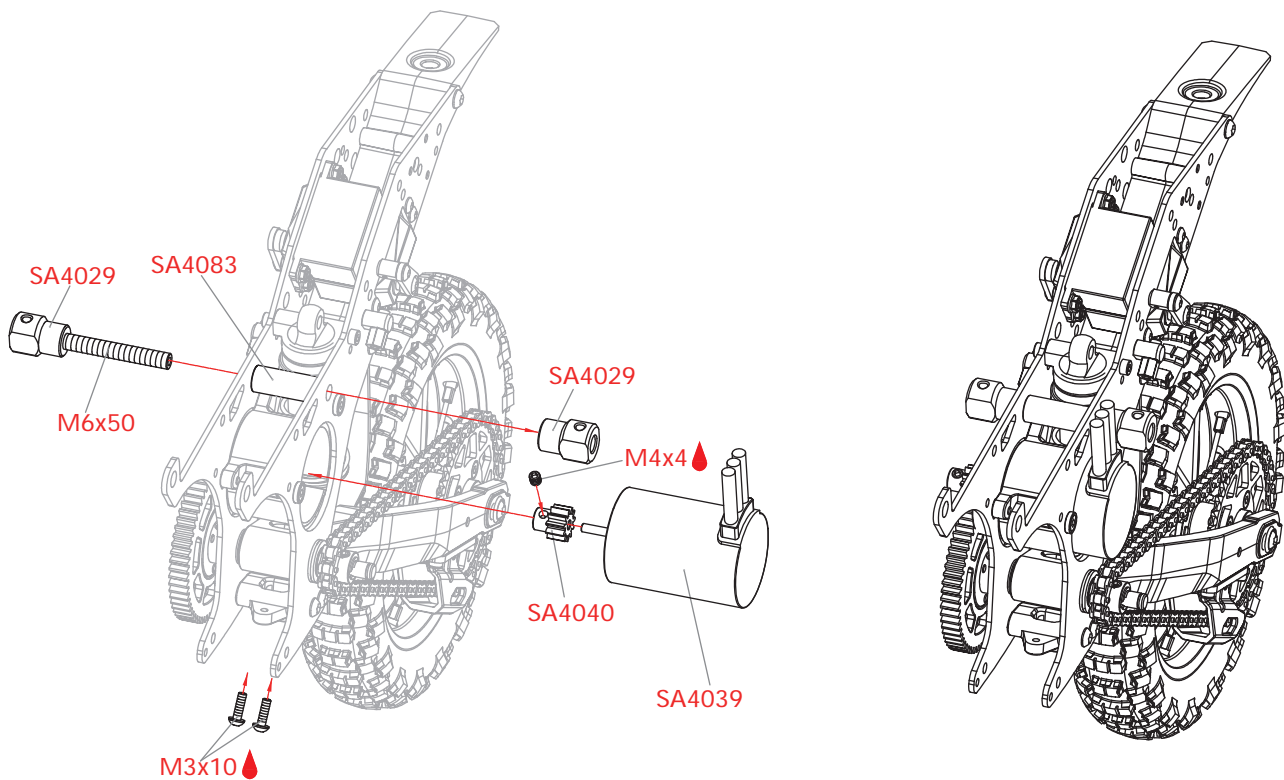


Gear Assembly 齿轮的组装

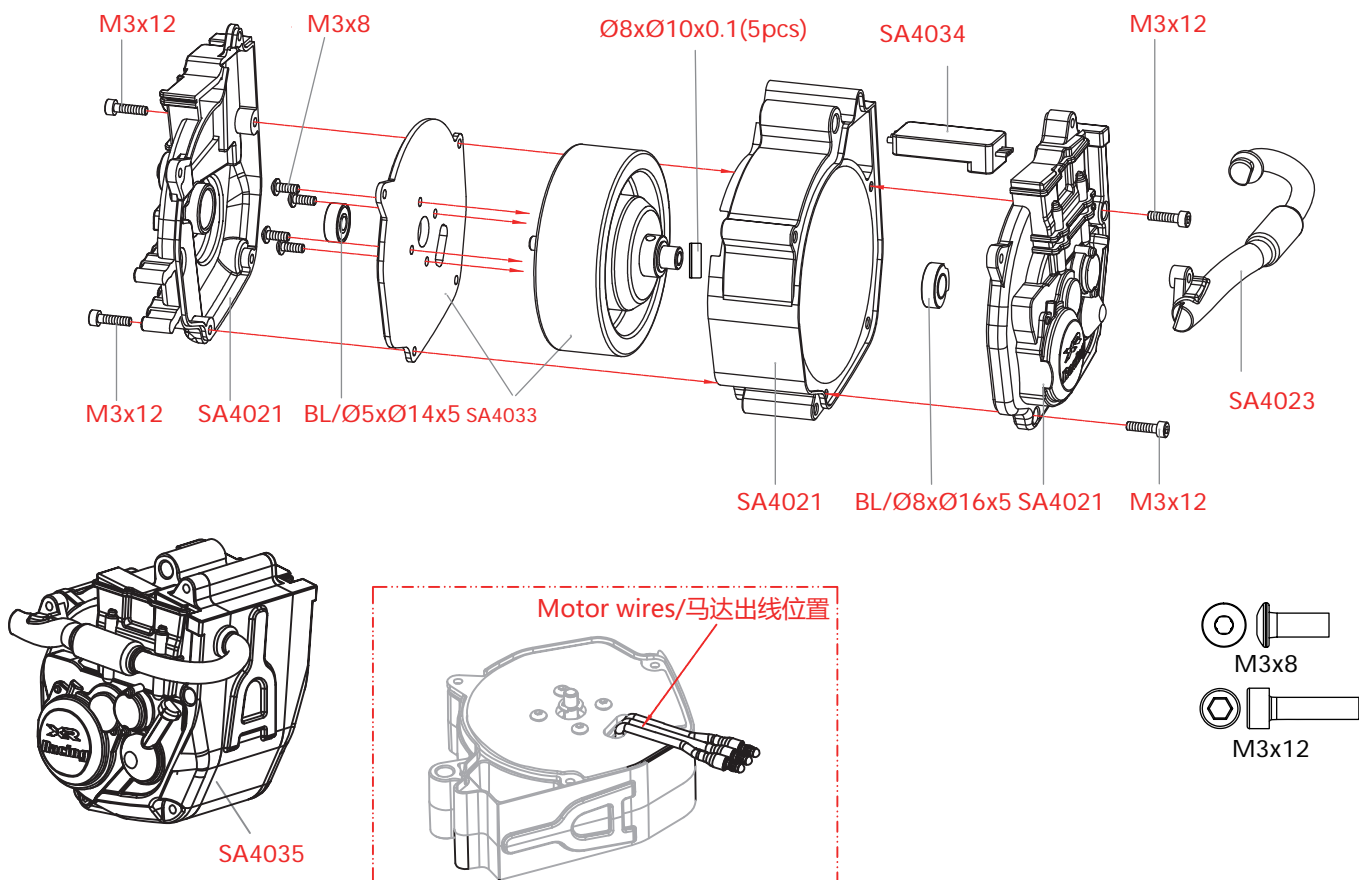


Caution: The space between the two gears should be the same thickness as one piece of A4 paper. We can put one piece of A4 paper between the two gears before assembly and take it away after finish.

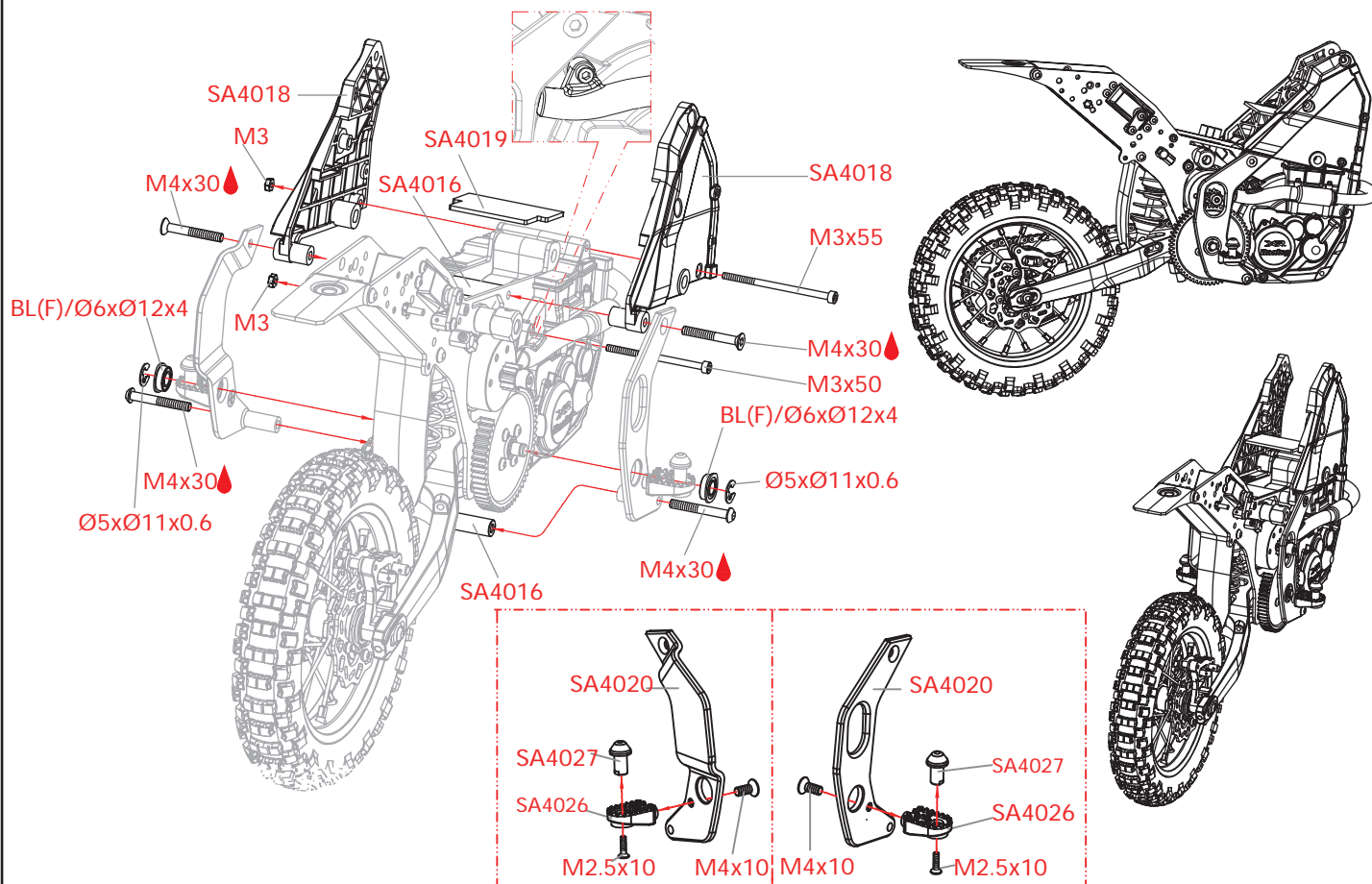
注意：两个齿轮之间的空隙 应为一张A4纸的厚度，安装之前我们可以在齿轮之间放一张A4纸，安装完成之后，再将A4 纸从齿轮间抽掉。



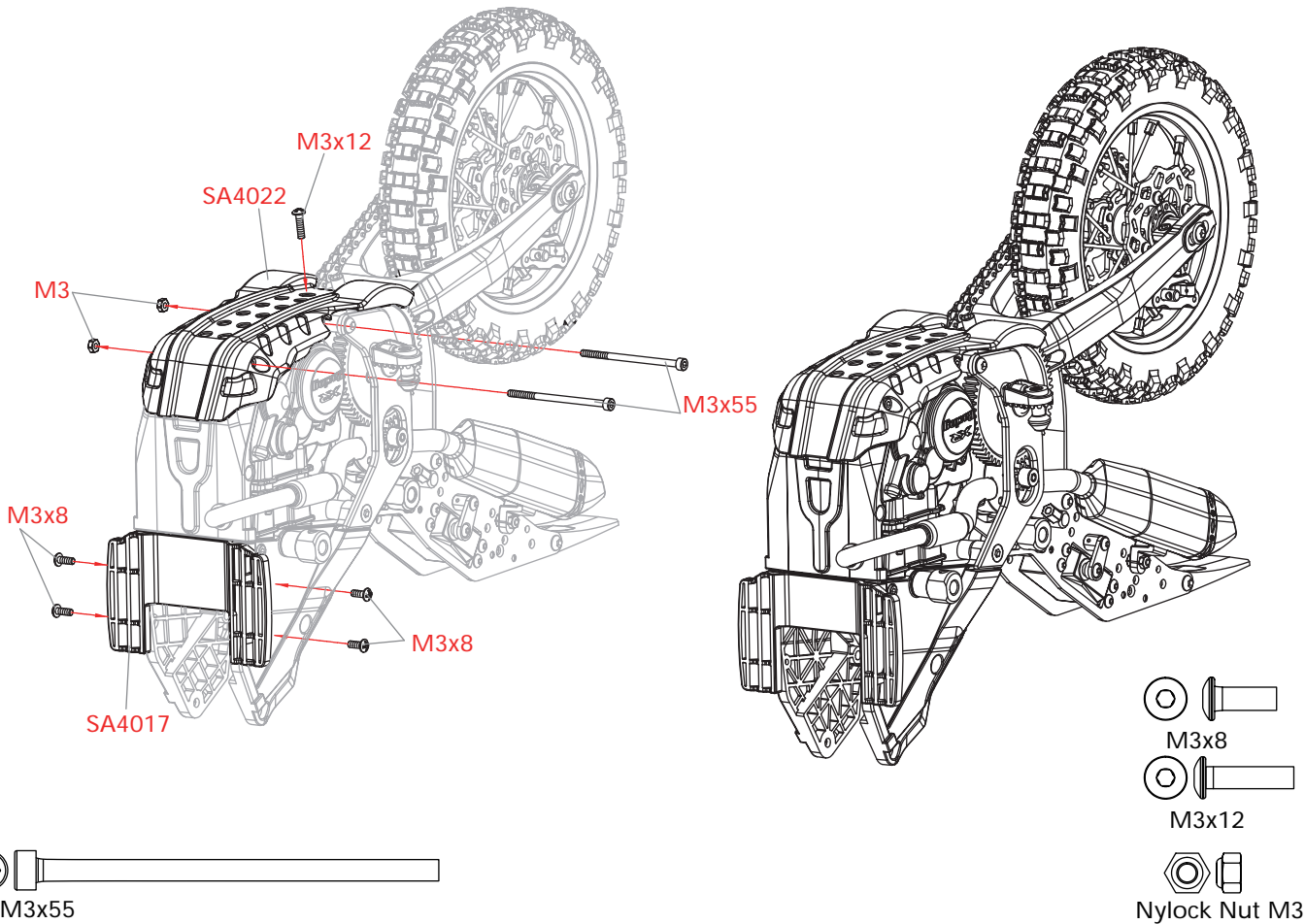
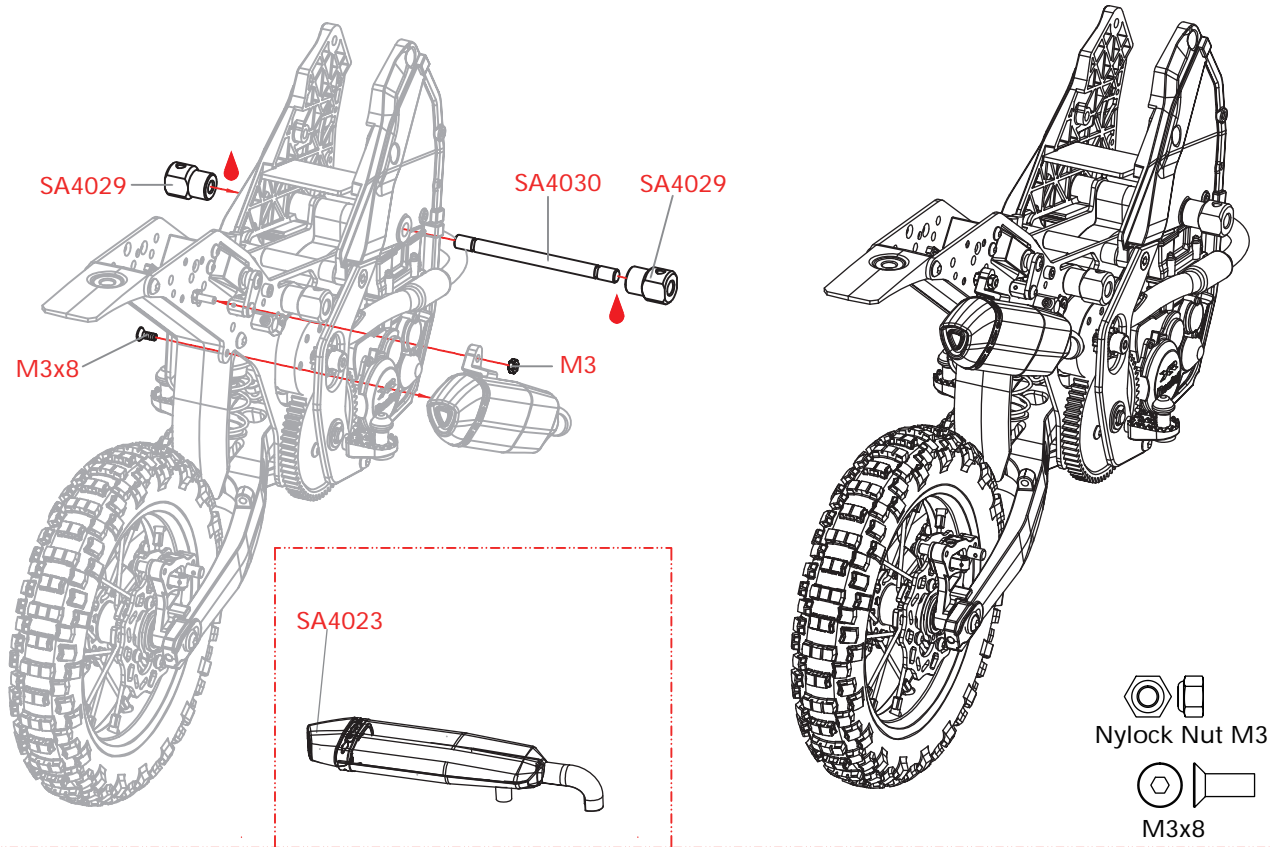
Gyro Assembly 陀螺仪的组装



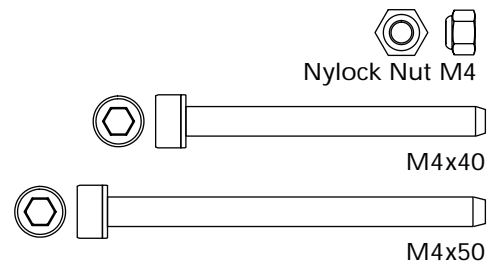
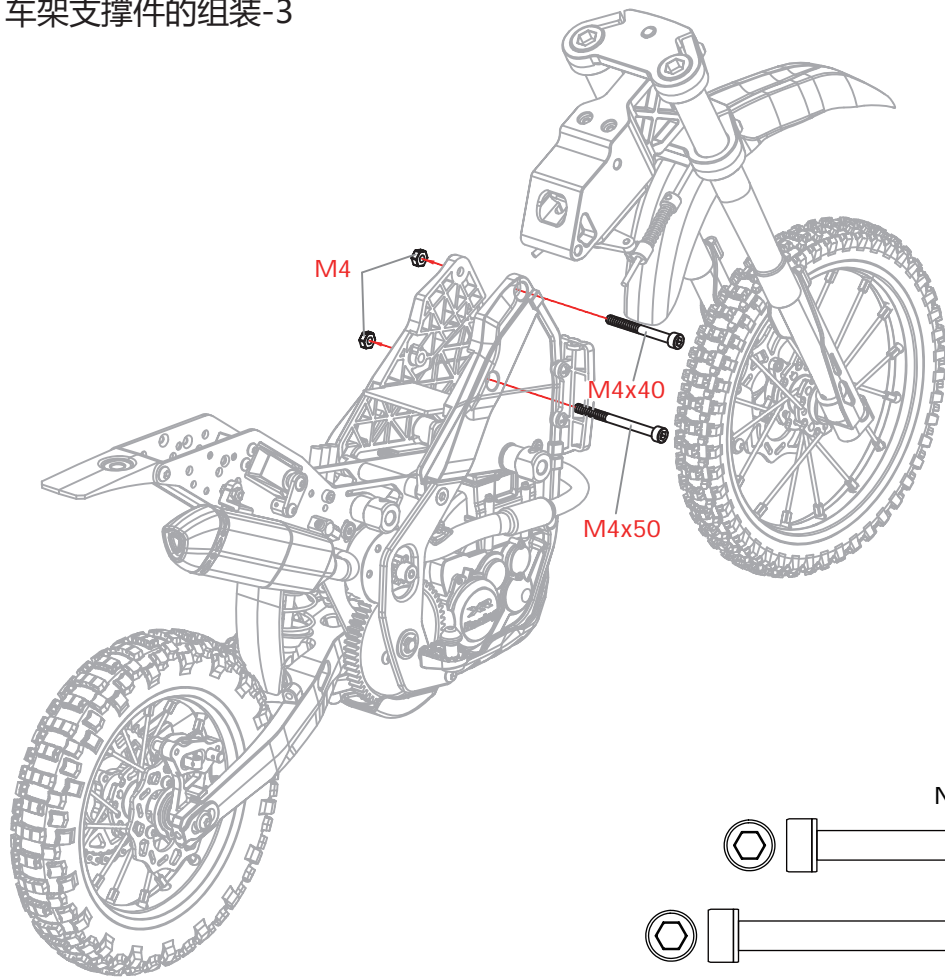
Chassis Assembly-1 车架支撑件的组装-1



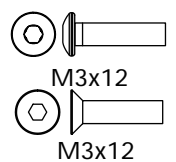
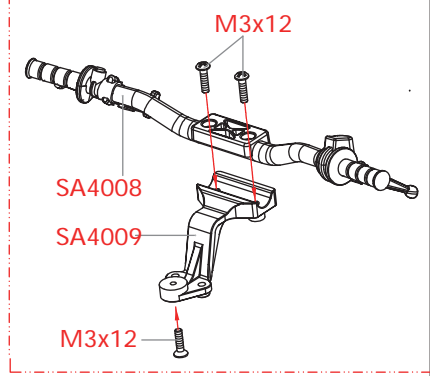
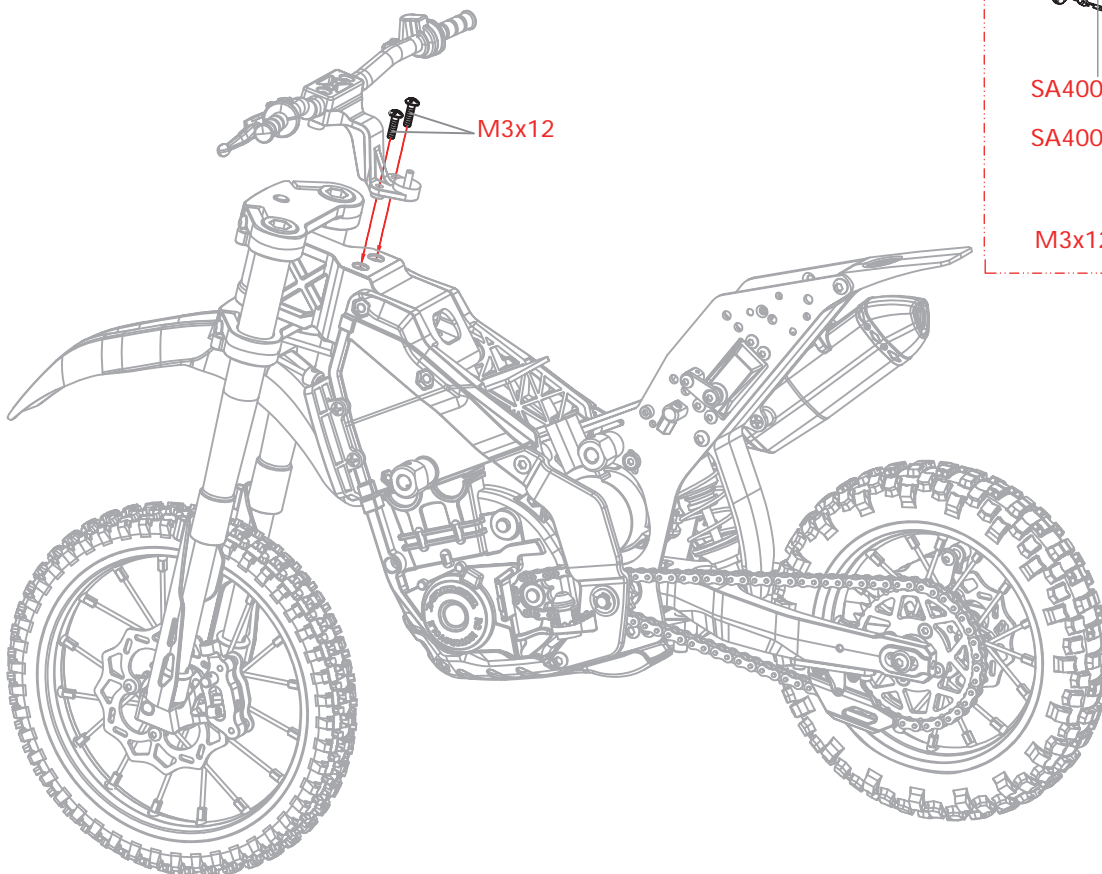
Chassis Assembly-2 车架支撑件的组装-2



Chassis Assembly-3 车架支撑件的组装-3

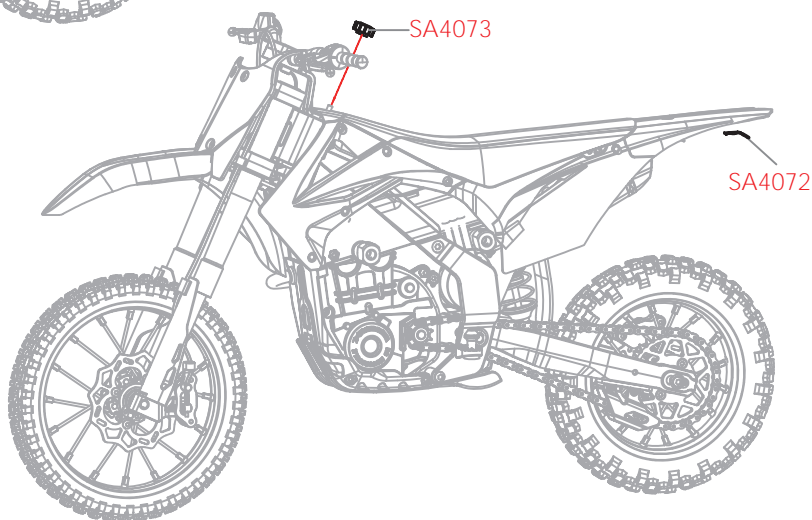
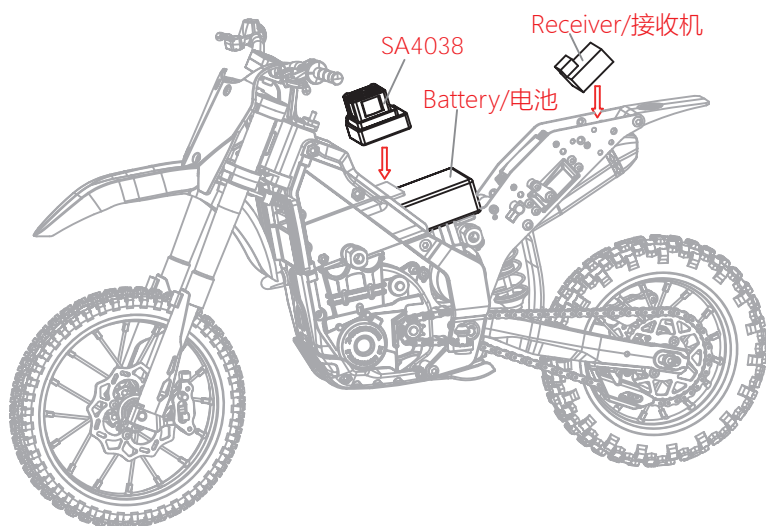
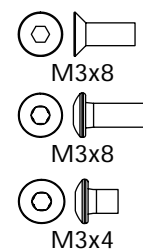
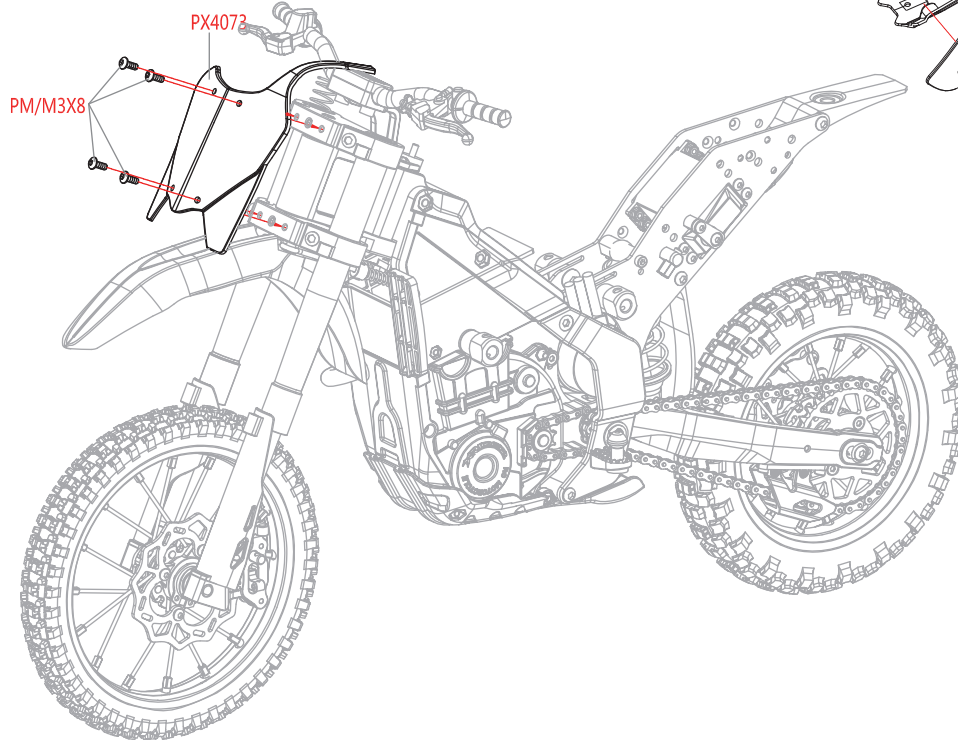
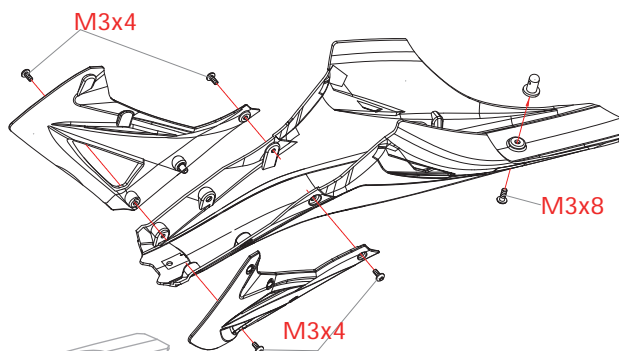


Handle Assembly 把手的组装

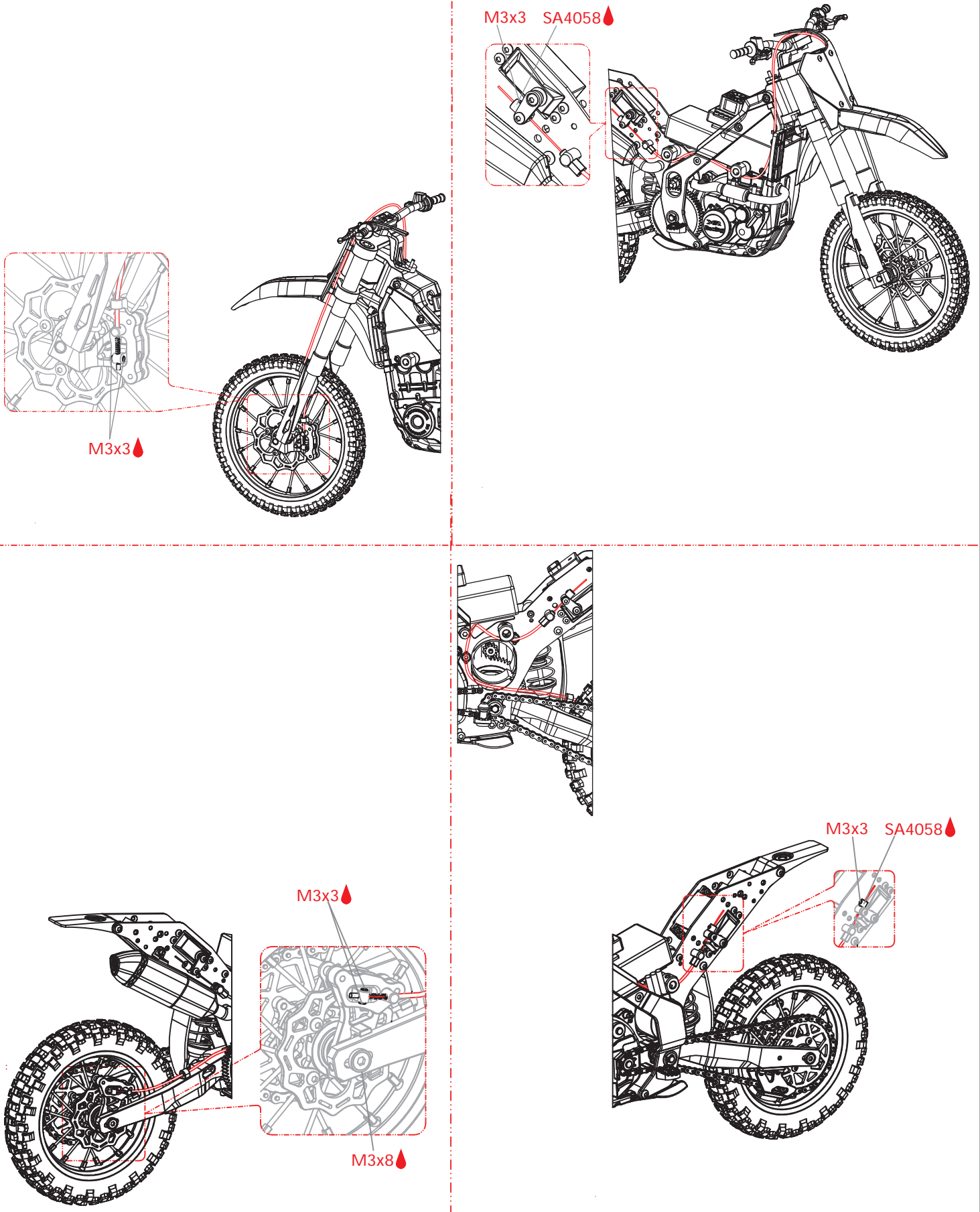


Body Shell Assembly 车壳的组装

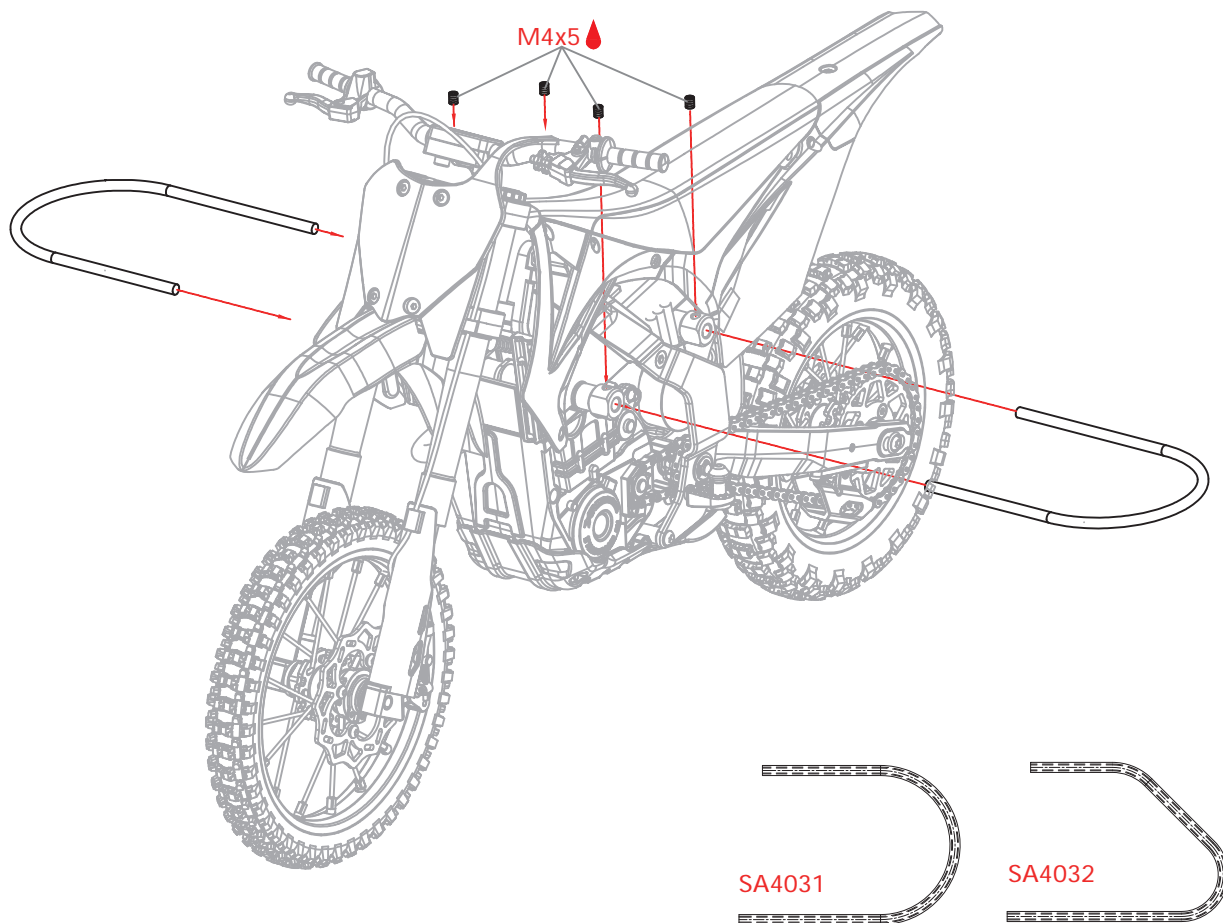
SA4068RH
SA4068BU



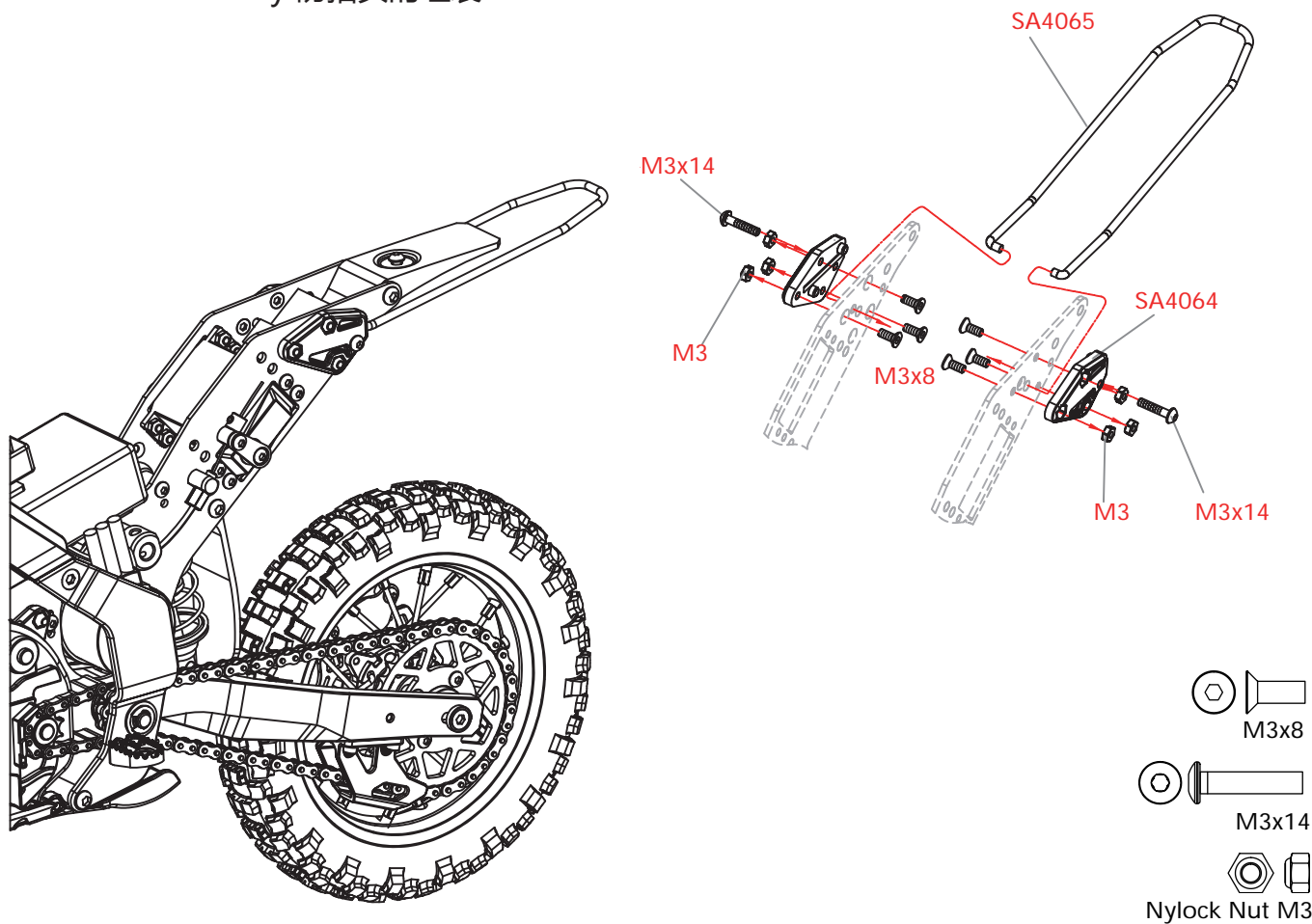
Brake line layout 刹车线布置的组装



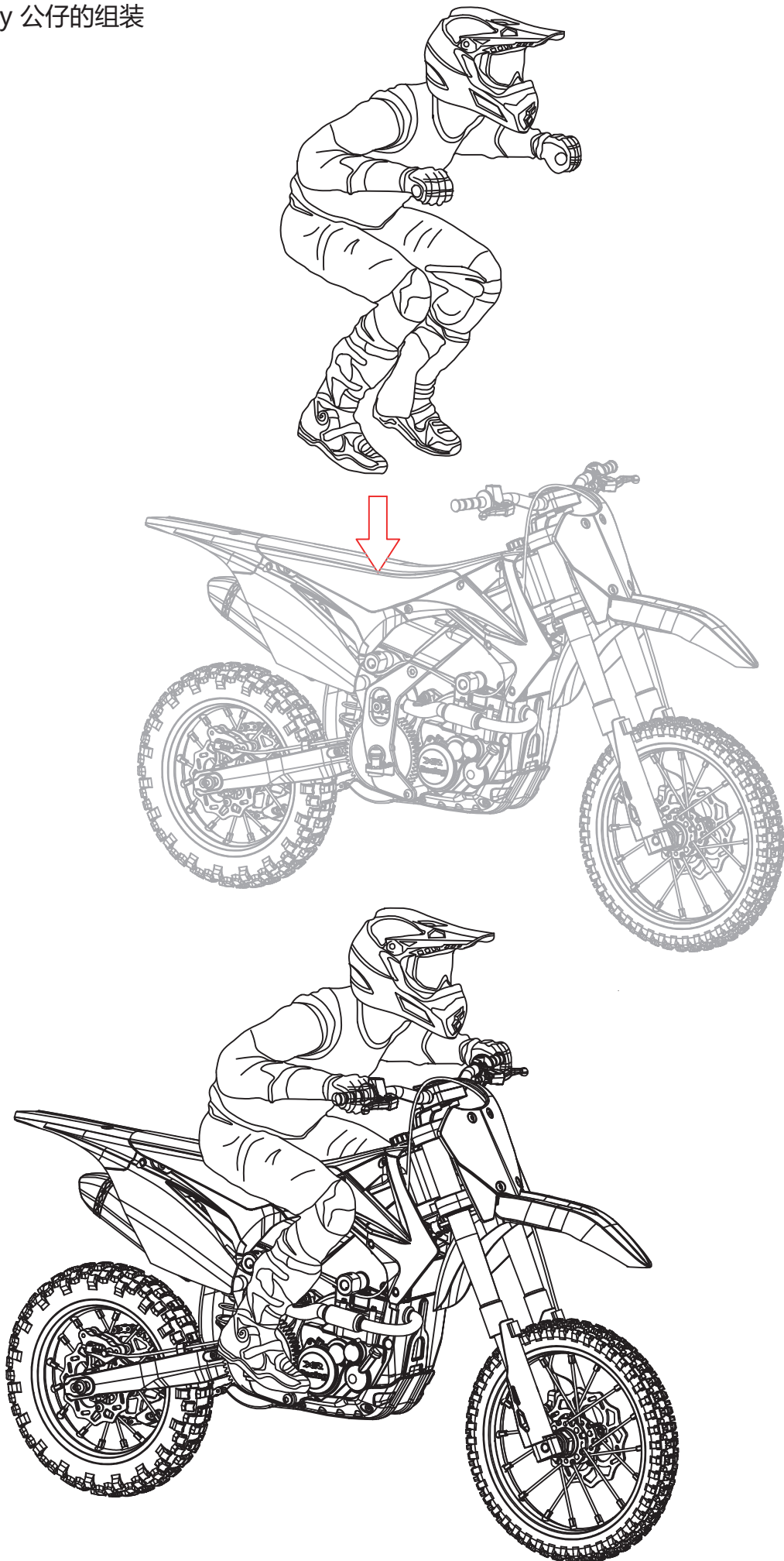
Anti-roll Bars Assembly 防倾杆的组装



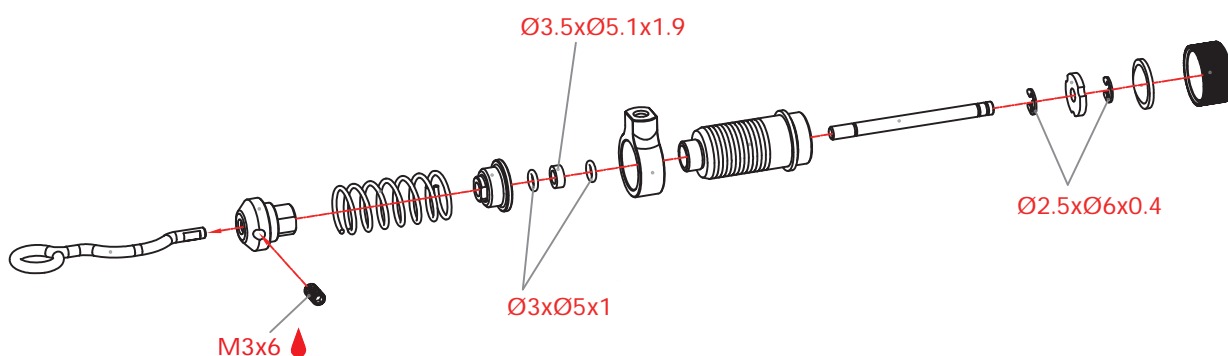
Frame Guard Assembly 防抬头的组装



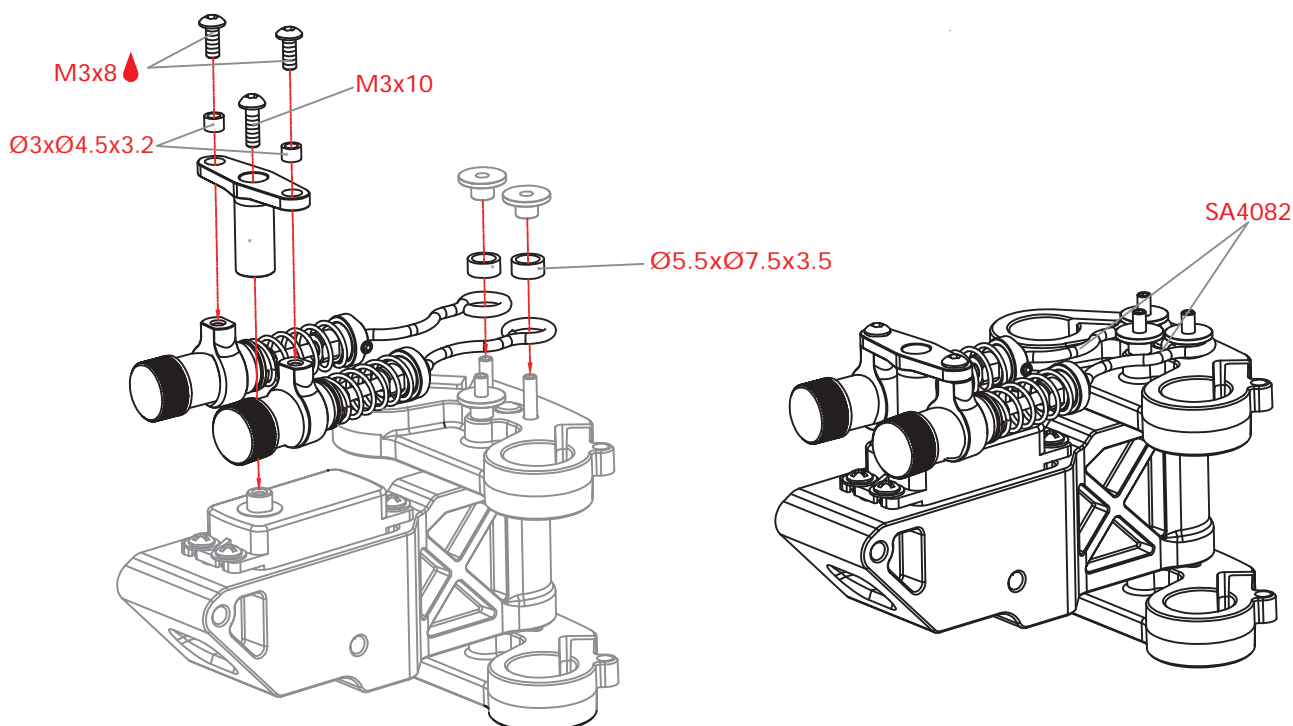
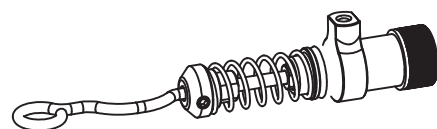
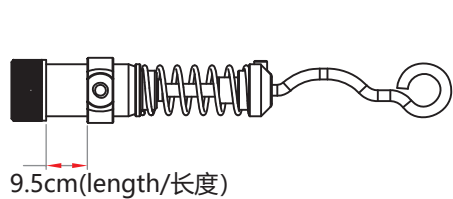
Rider Assembly 公仔的组装









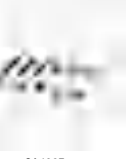






















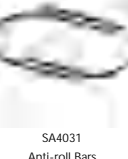

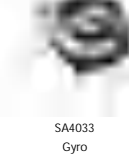




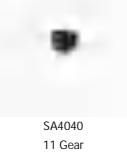


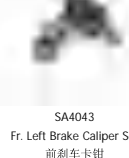


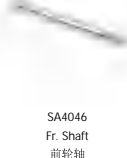





























Steering Shock Absorber Assembly 转向油压推杆的组装



Note : Inject silicone oil #3000
提示：灌入#3000号避震油



 SA4001BU Left Shock Absorber 前避震器 (左)	 SA4001RH Left Shock Absorber 前避震器 (左)	 SA4002BU Right Shock Absorber 前避震器 (右)	 SA4002RH Right Shock Absorber 前避震器 (右)	 SA4003 Shock Absorber Triples 避震器固定板	 SA4004 Steering Shaft 转向轴	 SA4005 Steering Support 转向臂	 SA4006 Steering linkage set 转向推杆组
 SA4007 Steering linkage Post 转向推杆固定块	 SA4008 Handle 把手	 SA4009 Handle Support 把手固定座	 SA4010 Left Frame 车架左侧板	 SA4011 Right Frame 车架右侧板	 SA4012 Motor Mount 马达座	 SA4013 Bike Height Control Block 车高调节块	 SA4015 Shock Absorber Post 减震器固定柱
 SA4016 Frame Post 车架固定柱	 SA4017 Radiator 散热器	 SA4018 Steering Support Frame 转向臂固定板	 SA4019 ESC Fixed Plate 电调固定板	 SA4020 Frame Side Plate L/R 车架侧板	 SA4021 Engine Body 引擎外壳	 SA4022 Frame Base 车架底托	 SA4023 Exhaust Pipe 排气管
 SA4024 56T Gear Set 56T齿轮组	 SA4025 56T Plastic Gear 56T齿轮	 SA4026 Footrest 脚踏	 SA4027 Footrest Post 公仔脚固定柱	 SA4028 Rear Fender 后挡泥板	 SA4029 Anti-roll Bar Post 防倾杆固定柱	 SA4030 Anti-roll Bar Shaft 防倾杆固定轴	 SA4031 Anti-roll Bars 防倾杆-U
 SA4032 Anti-roll Bars 防倾杆	 SA4033 Gyro 陀螺仪	 SA4034 Gyro ESC 陀螺仪电调	 SA4035 Gyro Set 陀螺仪组	 SA4038 ESC MAX10-SCT-80A 电调 MAX10-SCT-80A	 SA4039 Brushless Motor 3652/3800KV 电机 3652/3800KV	 SA4040 11 Gear 11T电机齿	 SA4041 Fr. Brake Disc 前刹车碟
 SA4042 Fr. Brake Disc Post 前刹车碟托	 SA4043 Fr. Left Brake Caliper Set 前刹车卡钳	 SA4044 Front Brake Wire Set 前刹车线组	 SA4045 Brake Steel Wire Mount 刹车线固定座	 SA4046 Fr. Shaft 前轮轴	 SA4047 Front Wheel 前轮	 SA4048 Front Tire 前轮胎	 SA4049 Front Wheel set 前轮组
 SA4050 Rear Swing Arm 后摇臂	 SA4051 Rear Shaft 后摇臂轴	 SA4052 Driver Chain 链条	 SA4053 Chain Cover 链条保护罩	 SA4054 34T Sprocket 34T链齿	 SA4055 9T Sprocket 9T链齿	 SA4056 Rear Brake Disc 后刹车碟	 SA4057 Rr. Left Brake Caliper Set 后刹车卡钳组
 SA4058 Rr. Brake Wire Set 后刹车线组	 SA4059 Rr. Brake Disc Post 后刹车碟托	 SA4060 Rear Wheel 后轮	 SA4061 Rear Tire 后轮胎	 SA4062 Rear Wheel set 后轮组	 SA4063 Rear Shaft 后轮轴	 SA4064 Frame Guard Post 防拍头固定块	 SA4065 Frame Guard 防拍头钢线
 SA4066BU Body (Blue) 车壳 (蓝色)	 SA4066RH Body (Red) 车壳 (荧光红)	 SA4067BU Front Fender(Blue) 前避震器挡泥板(蓝色)	 SA4067RH Front Fender(Red) 前避震器挡泥板(荧光红)	 SA4068BU Rider(Blue) 公仔 (蓝色)	 SA4068RH Rider(Red) 公仔 (荧光红)	 SA4070 Bike Stand 车架固定座	 SA4071 Rear wheel Spacer 后轮垫片

							
SA4073 Fuel Tank Cover 油箱盖	SA4074 Shock Absorber 减震器	SA4075BU Left Shock Absorber 前避震器(左)	SA4075RH Left Shock Absorber 前避震器(左)	MCS1003 Steering Servo 转向舵机	MCS1004 Braking Servo 刹车舵机	SA4082 Steering Shock Absorber Set 转向油压推杆组	